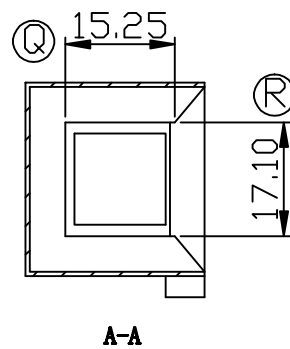
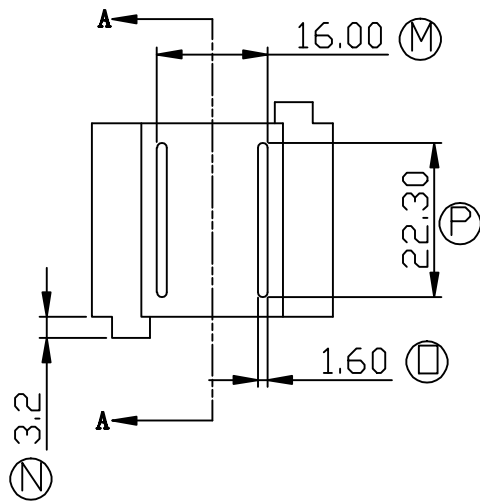
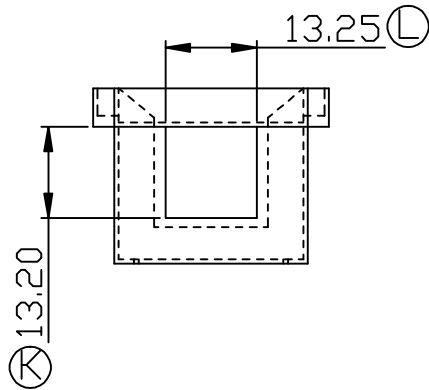
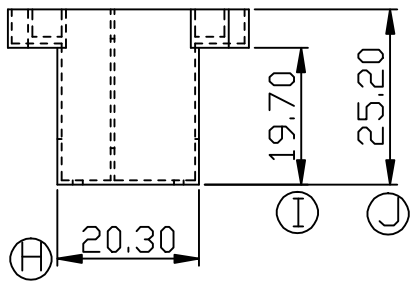
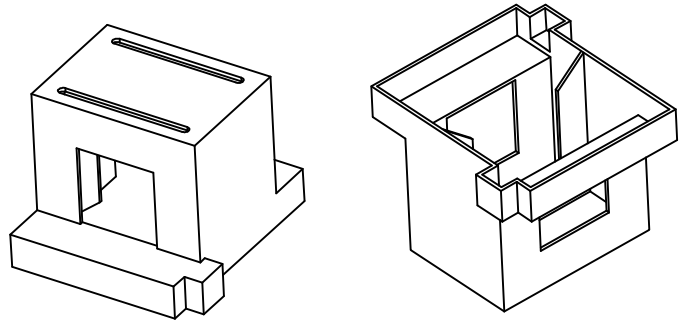
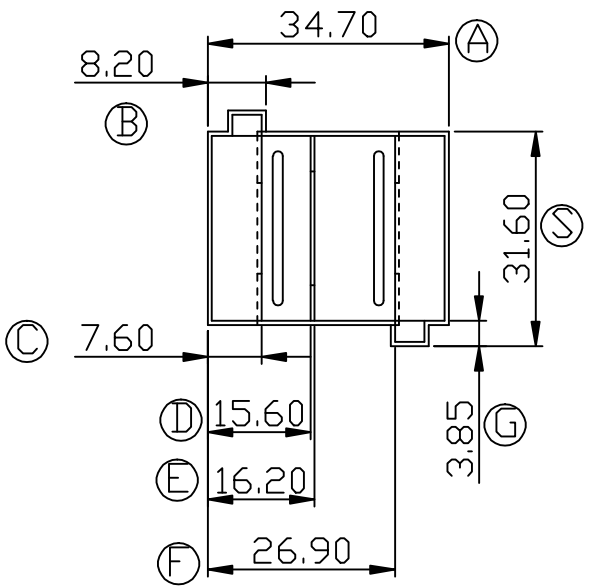



Build up your trust



TITLE: EI-41 COVER		TOLERANCES		BOBBIN MATERIAL:		UL REC:	
DRAWING NO: GS-C015-1		0<L≤4 ±0.1 4<L≤16±0.2 16<L≤63±0.3		PLASTIC 70G33HS1L		UL 94HB	
 建信電子制品有限公司 GEMSTONE ELECTRONIC PRODUCTS CO., LTD. ADD: 廣東省東莞市石排鎮石崇大道 TEL: (0769)86514918, 86514919 FAX:86514878		PIN FITCH ±0.2		PIN MATERIAL:		PIN TENSION LOAD:	
		UNIT: MM		SCALE: 1/1		ANGLE: ±1°	
DRAWN: XU ZHAN		CHECK: XU ZHAN		REV: AO		APPROVED:	

REV.	PORTION.	BEFORE REV.	AFTER REV.