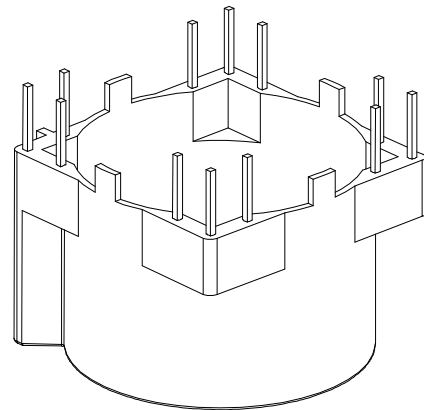
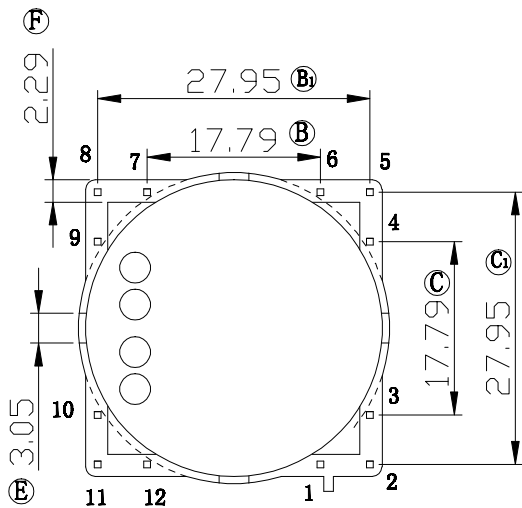
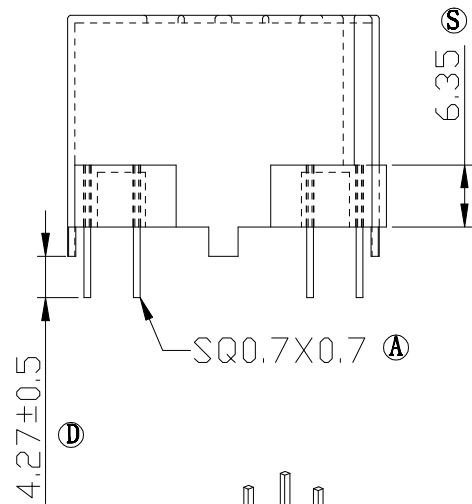
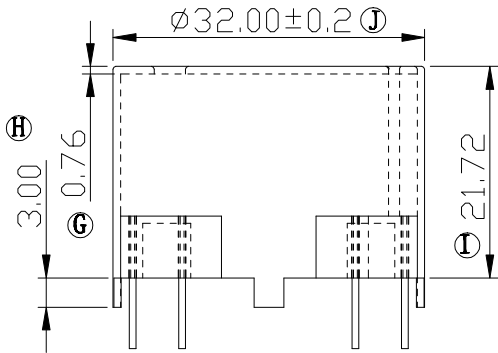
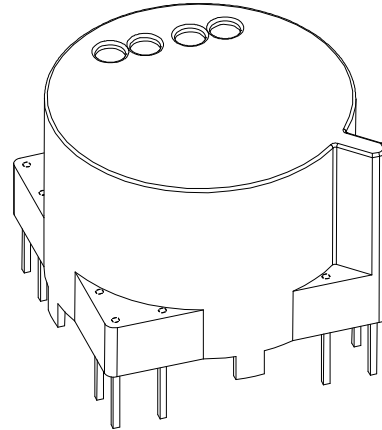
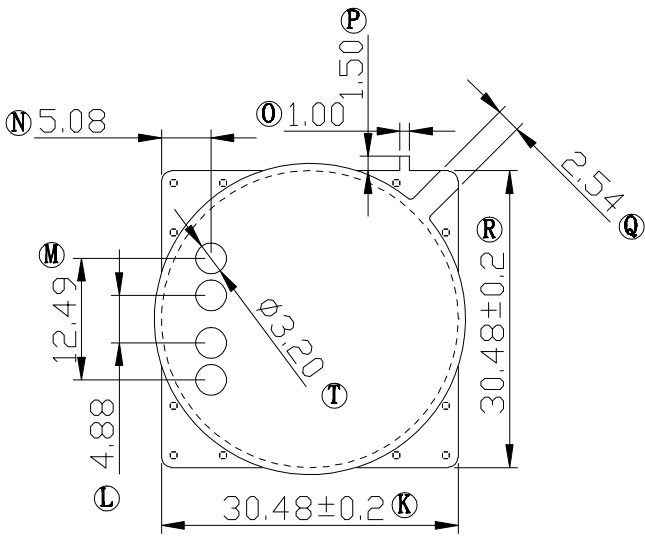



Build up your trust



TITLE: <b>HEADER (12PIN)</b>	TOLERANCES		BOBBIN MATERIAL: A3X2G5	UL REC. UL 94V-0
DRAWING NO: <b>GS-C020 (250-0849)</b>	<b>±0.1</b>		PIN MATERIAL: PHOSPHOR BRONZE	PIN TENSION LOAD: 1.0KG MIN
 <b>建信電子制品有限公司</b> GEMSTONE ELECTRONIC PRODUCTS CO., LTD. ADD: 廣東省東莞市石排鎮石崇大道 TEL: (0769) 86514918, 86514919 FAX: 86514878	UNIT: MM	SCALE: 1.5/1	ANGLE: ±1°	DATE: 2007/4/12
	DRAWN: Wang Ren Jun		CHECK: XU ZHAN	REV: A0

REV.	PORTION.	BEFORE REV.	AFTER REV.