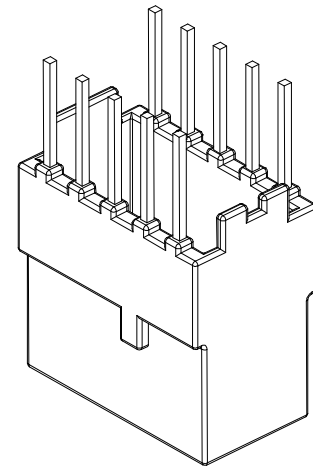
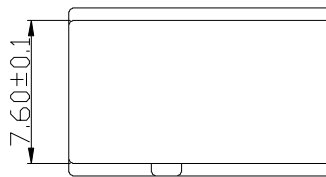
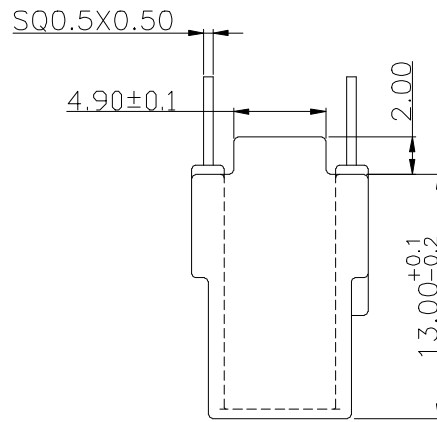
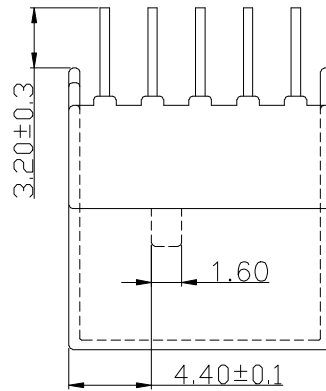
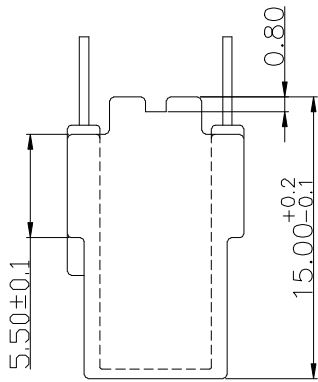
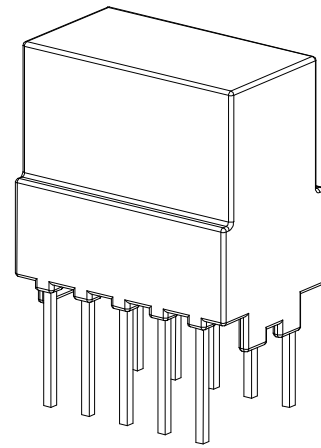
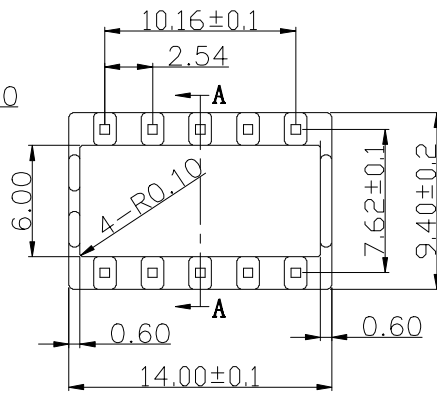
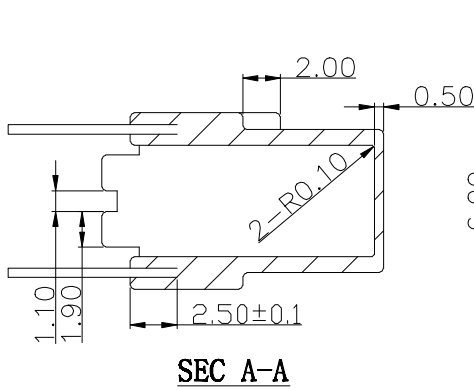



Build up your trust



TITLE: <b>CASE 10PIN</b>		TOLERANCES		BOBBIN MATERIAL: PM9630		UL REC. UL 94V-0	
DRAWING NO: <b>GS-C022</b>		0<L≤4 ±0.1	PIN PITCH ±0.2	PIN MATERIAL: PHOSPHOR BRONZE		PIN TENSION LOAD: 1.0kg MIN	
		4<L≤16 ±0.2					
		16<L≤63 ±0.3					
 <b>建信電子制品有限公司</b> GEMSTONE ELECTRONIC PRODUCTS CO., LTD.		UNIT: MM	SCALE: 2.5/1	ANGLE: ±1°	DATE: 2007/12/03	REV: A0	
		DRAWN: XU ZHAN		CHECK: XU ZHAN		APPROVED:	

ADD: 廣東省東莞市石排鎮石崇大道  
TEL: (0769) 86514918, 86514919 FAX: 86514878

REV.	PORTION.	BEFORE REV.	AFTER REV.