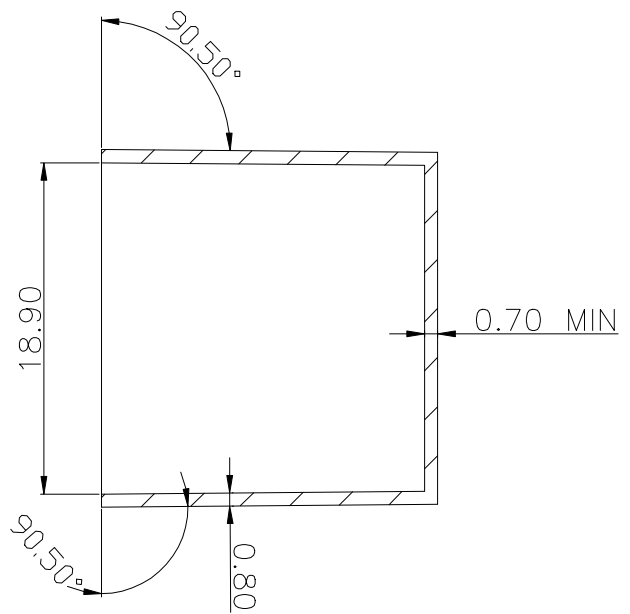
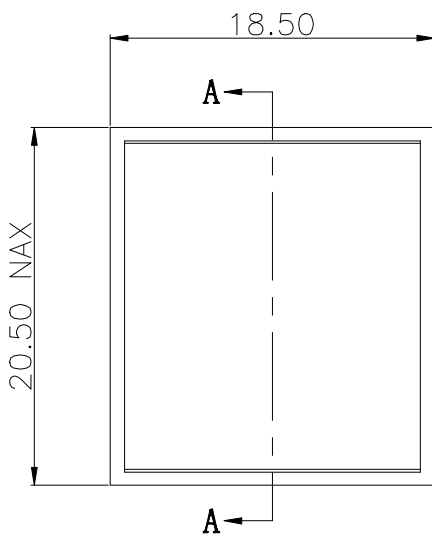
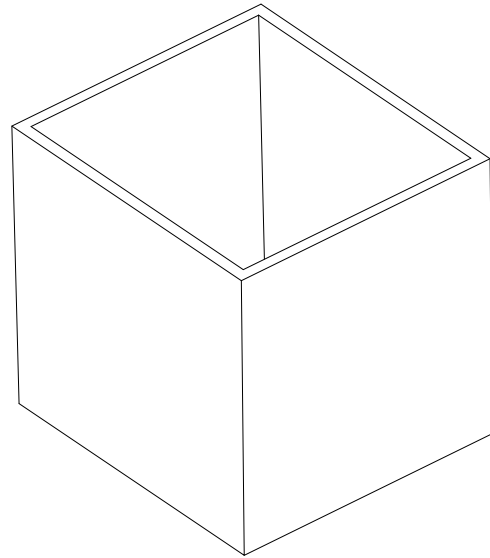
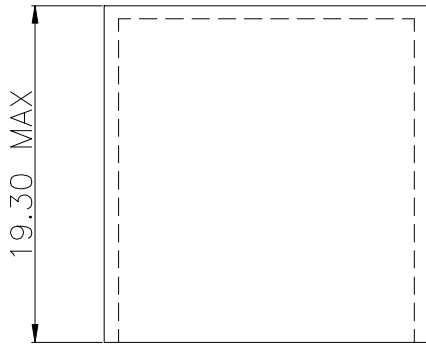



Build up your trust



SEC A-A

TITLE: CASE UU-10		TOLERANCES		BOBBIN MATERIAL: PM9820		UL REC. UL 94V-0	
DRAWING NO: 186-0209 (GS-C023)		± 0.13	PIN PITCH ± 0.2	PIN MATERIAL:		PIN TENSION LOAD:	
 <b>建信電子制品有限公司</b> GEMSTONE ELECTRONIC PRODUCTS CO., LTD. ADD: 廣東省東莞市石排鎮石崇大道 TEL: (0769) 86514918, 86514919 FAX: 86514878		UNIT: MM	SCALE: 2.5/1	ANGLE: ± 1°	DATE: 2008/01/15	REV: A0	
		DRAWED: XU ZHAN		CHECK: XU ZHAN		APPROVED:	

REV.	PORTION.	BEFORE REV.	AFTER REV.