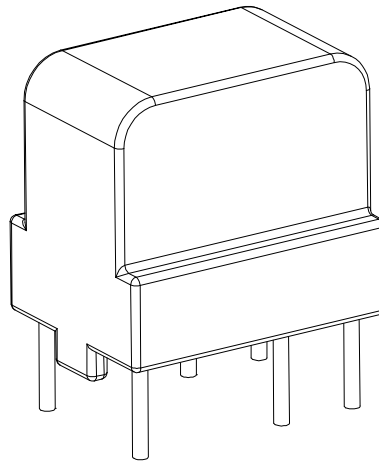
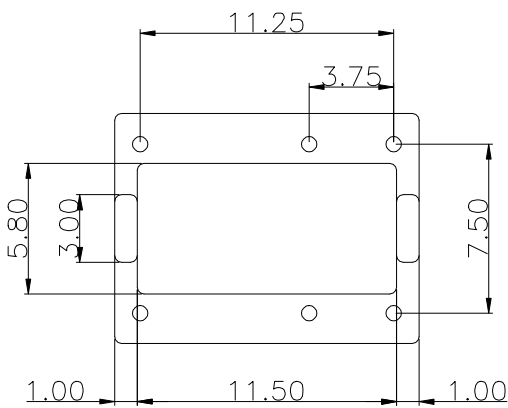
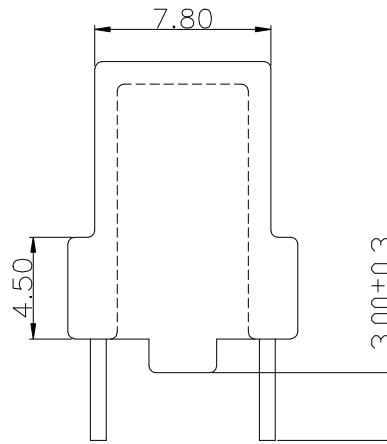
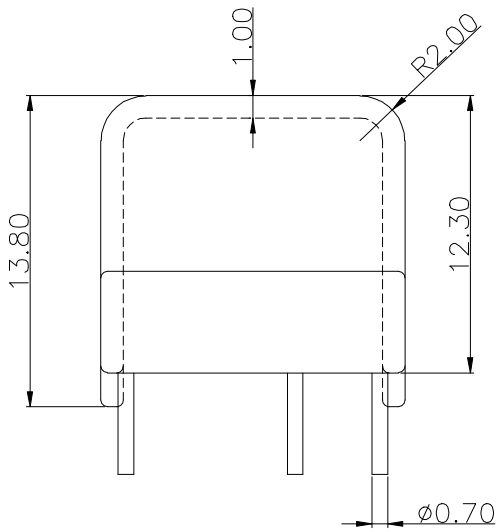
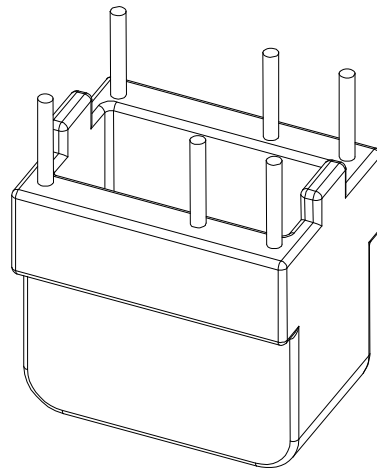
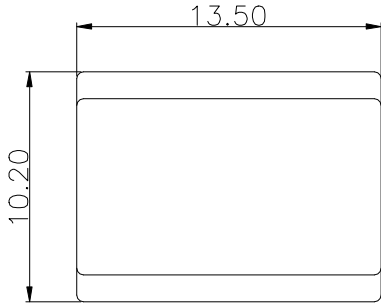



Build up your trust



TITLE:	CASE 6PIN	TOLERANCES		BOBBIN MATERIAL:	UL REC.
DRAWING NO:	GS-C025	0<math>L \le 4 \pm 0.1</math>	PIN PITCH $\pm 0.2$	PM9630	UL 94V-0
		4<math>L \le 16 \pm 0.2</math>		PIN MATERIAL:	PIN TENSION LOAD:
		16<math>L \le 63 \pm 0.3</math>		CP WIRE	1.0kg MIN
 建信電子制品有限公司 GEMSTONE ELECTRONIC PRODUCTS CO.,LTD.	UNIT:	SCALE:	ANGLE:	DATE:	REV:
	MM	3/1	$\pm 1^\circ$	2008/08/06	A0
ADD: 廣東省東莞市石排鎮石崇大道 TEL: (0769) 86514918, 86514919 FAX: 86514878	DRAWN:	CHECK:	APPROVED:		
	XU ZHAN	XU ZHAN			

REV.	PORTION.	BEFORE REV.	AFTER REV.