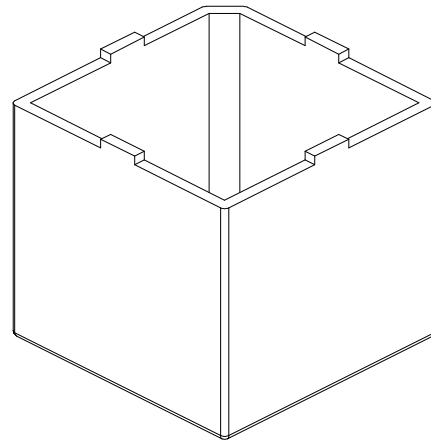
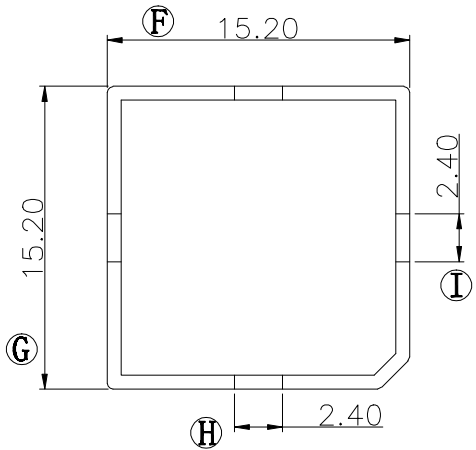
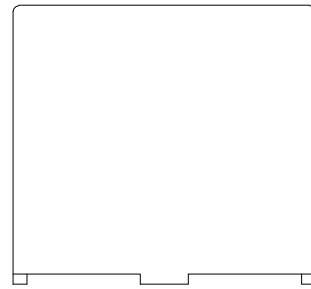
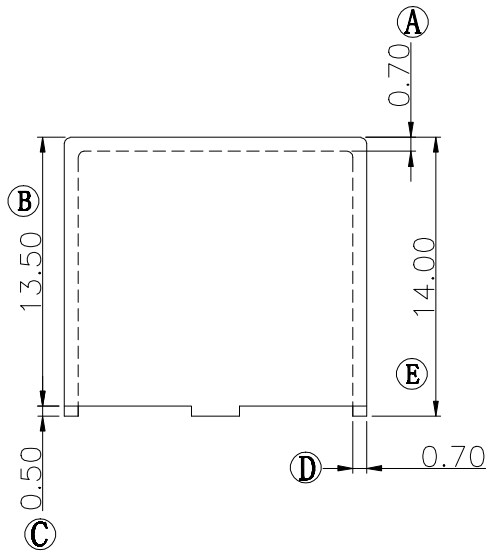
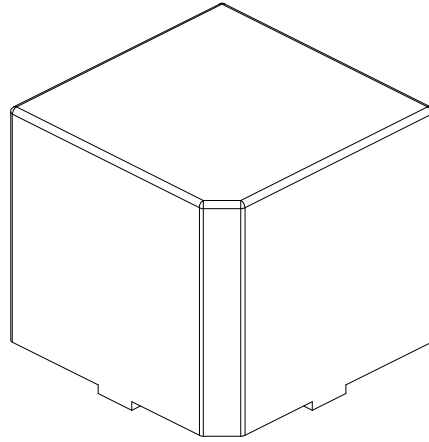
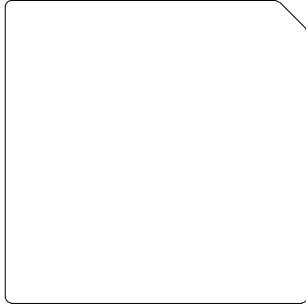



Build up your trust



TITLE:	CASE	TOLERANCES		BOBBIN MATERIAL:		UL REC.
DRAWING NO:	GS-C027	0<L ≤4 ±0.1	PIN PITCH ±0.1	PET FR530 (BK)		94V-0
 建信電子制品有限公司 GEMSTONE ELECTRONIC PRODUCTS CO., LTD.		4<L ≤16 ±0.2		PIN MATERIAL:		PIN TENSION LOAD:
		16<L ≤63 ±0.3		ANGLE: ±1°		REV: A0
ADD: 廣東省東莞市石排鎮石崇大道 TEL: (0769) 86514918, 86514919 FAX: 86514878		UNIT: MM	SCALE: 2/1	DATE: 2009/05/27	APPROVED:	
		DRAWN: LW		CHECK: XU ZHAN		

REV.	PORTION.	BEFORE REV.	AFTER REV.