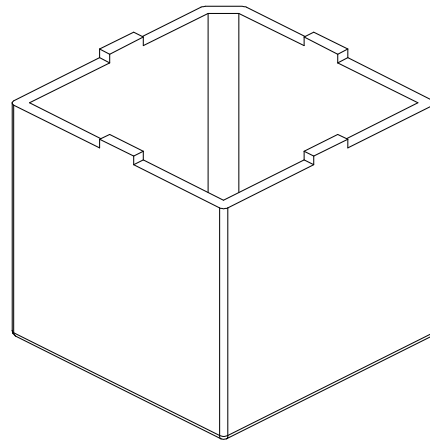
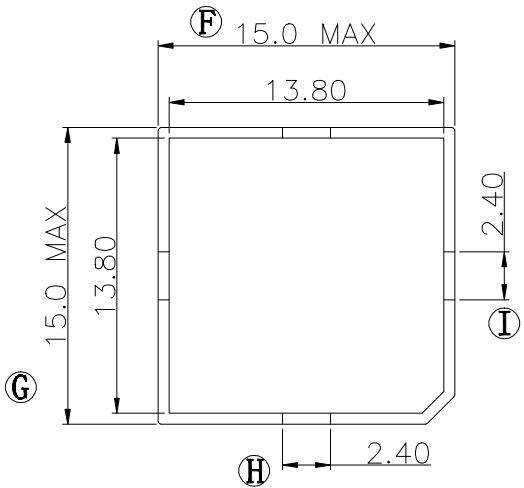
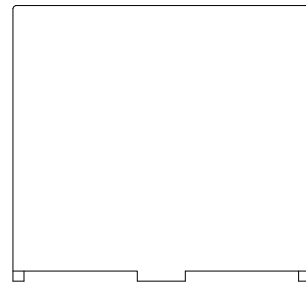
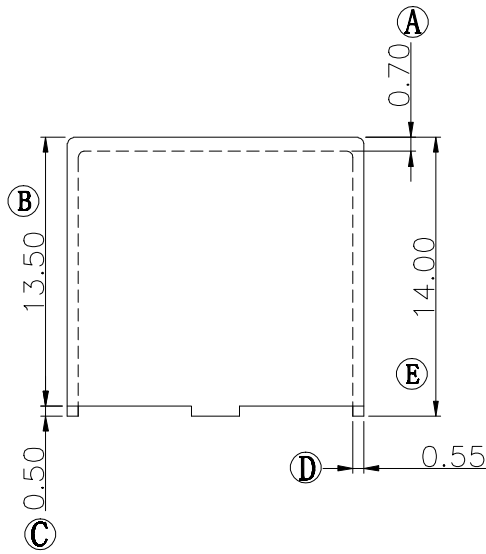
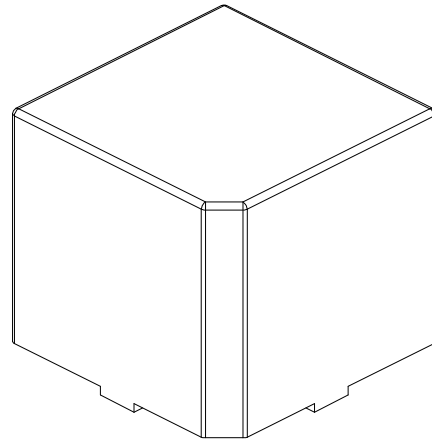
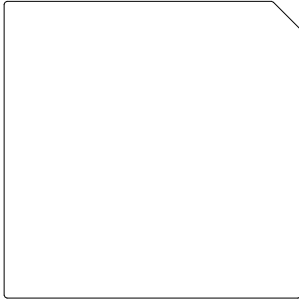



Build up your trust



| | | | | | | | |
|--|--|--------------|----------------|---------------------------------|--|-------------------|--|
| TITLE: CASE | | TOLERANCES | | BOBBIN MATERIAL: PET FR530 (BK) | | UL REC. 94V-0 | |
| DRAWING NO: GS-C027-1 | | 0<L≤4 ±0.1 | PIN PITCH ±0.1 | PIN MATERIAL: | | PIN TENSION LOAD: | |
| | | 4<L≤16 ±0.2 | | | | | |
| | | 16<L≤63 ±0.3 | | ANGLE: ±1° | | REV: A0 | |
|  建信電子制品有限公司 GEMSTONE ELECTRONIC PRODUCTS CO., LTD. ADD: 廣東省東莞市石排鎮石崇大道 TEL: (0769) 86514918, 86514919 FAX: 86514878 | | UNIT: MM | SCALE: 2/1 | DATE: 2010/09/10 | | | |
| | | DRAWN: LW | | CHECK: XU ZHAN | | APPROVED: | |

| REV. | PORTION. | BEFORE REV. | AFTER REV. |
|------|----------|-------------|------------|
| | | | |
| | | | |
| | | | |