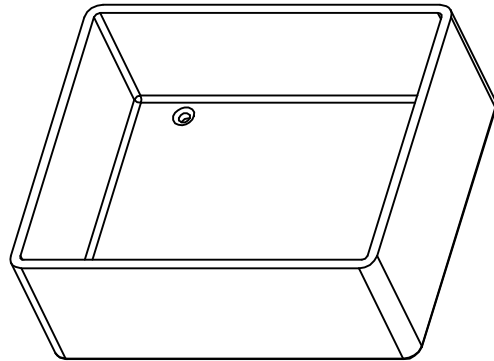
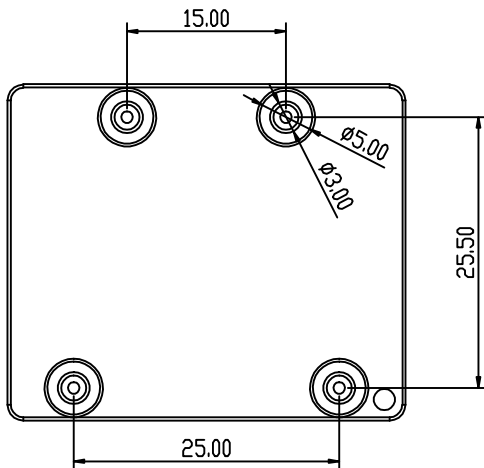
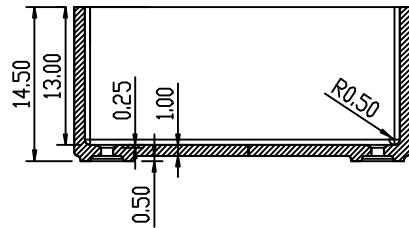
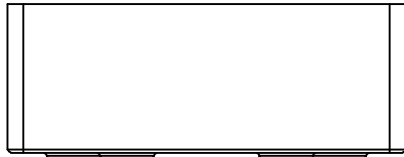
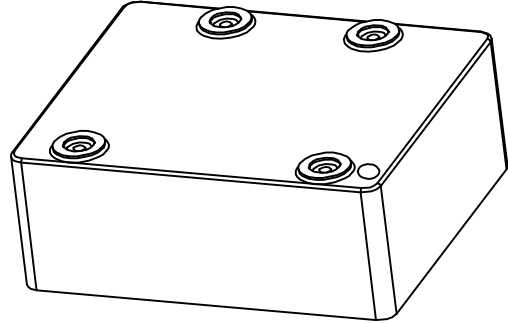
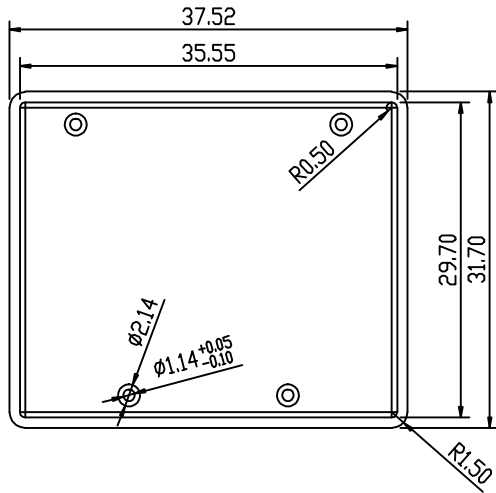


Build up your trust



Note: CASE底面平整度0.10mm MAX

TITLE: CASE		TOLERANCES		BOBBIN MATERIAL: PM9630		UL REC. 94V-0	
DRAWING NO: 250119(GS-C042)		$0 < L \leq 1 \pm 0.05$ $1 < L \leq 10 \pm 0.10$ $10 < L \leq 20 \pm 0.15$ $20 < L \leq 30 \pm 0.20$		PIN PITCH ± 0.2		PIN TENSION LOAD:	
 建信電子制品有限公司 GEMSTONE ELECTRONIC PRODUCTS CO., LTD. ADD: 廣東省東莞市石排鎮石崇大道 TEL: (0769) 86514918, 86514919 FAX: 86514878		UNIT: MM		SCALE: 1/1		ANGLE: $\pm 1^\circ$ DATE: 2011/6/24 REV: A0	
		DRAWN: QIU		CHECK: XU ZHAN		APPROVED:	

REV.	PORTION	REASON REV.	AFTER REV.