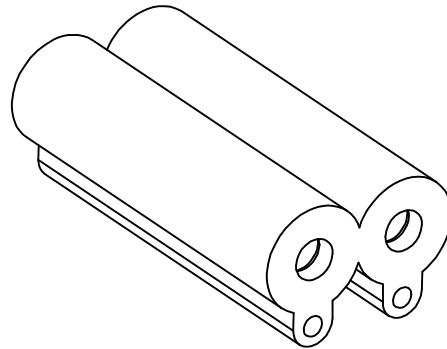
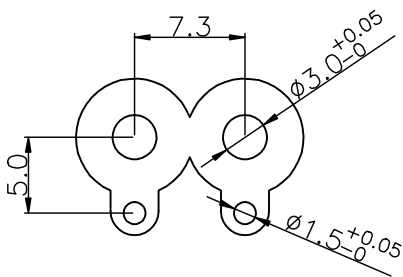
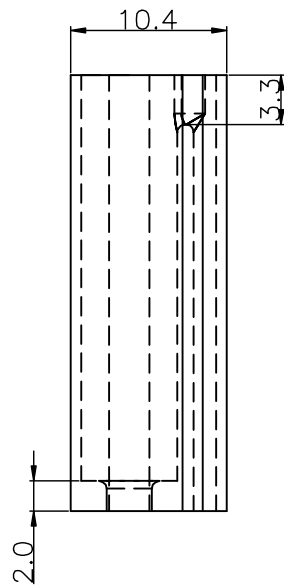
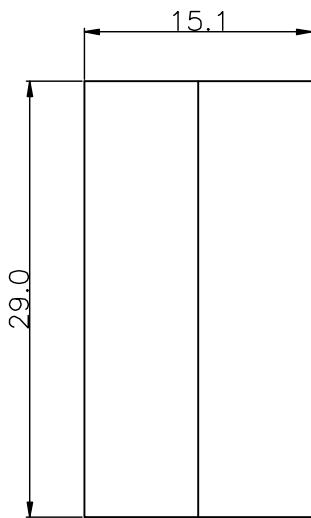
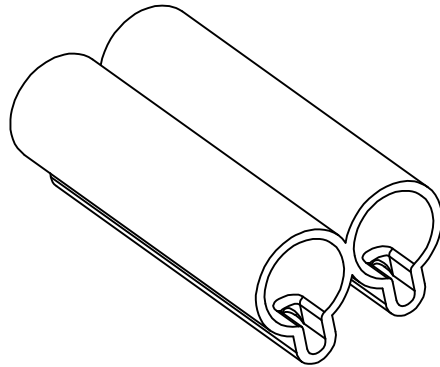
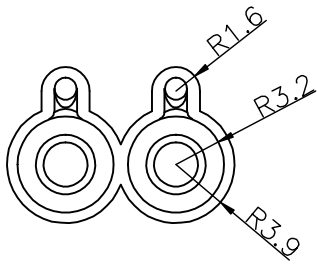


Build up your trust



TITLE: FUSE HOLDER MOULDING		TOLERANCES		BOBBIN MATERIAL: PET FR530		UL REC. UL 94V-0	
DRAWING NO: 10008152 (GS-C044)		$\pm 0.1$		PIN MATERIAL:		PIN TENSION LOAD:	
 <b>建信電子制品有限公司</b> GEMSTONE ELECTRONIC PRODUCTS CO., LTD. ADD: 廣東省東莞市石排鎮石崇大道 TEL: (0769)86514918, 86514919 FAX:86514878	UNIT: MM	SCALE: 2/1	ANGLE: $\pm 1^\circ$	DATE: 2011/09/03	REV: A0		
	DRAWN: QIU		CHECK: XU ZHAN		APPROVED:		

REV.	PORTION.	BEFORE REV.	AFTER REV.