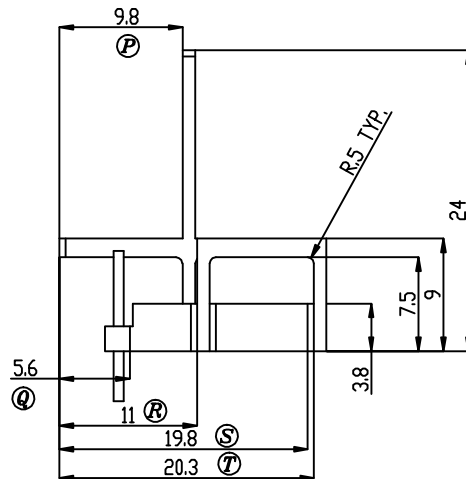
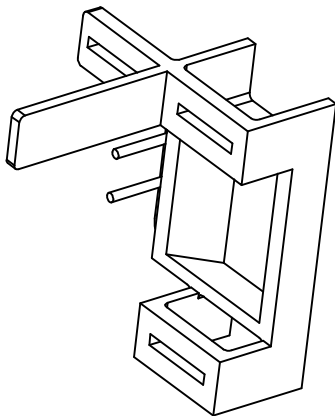
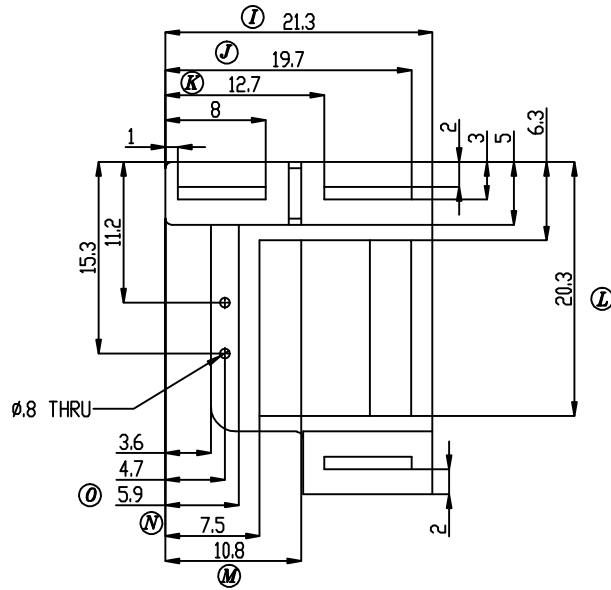
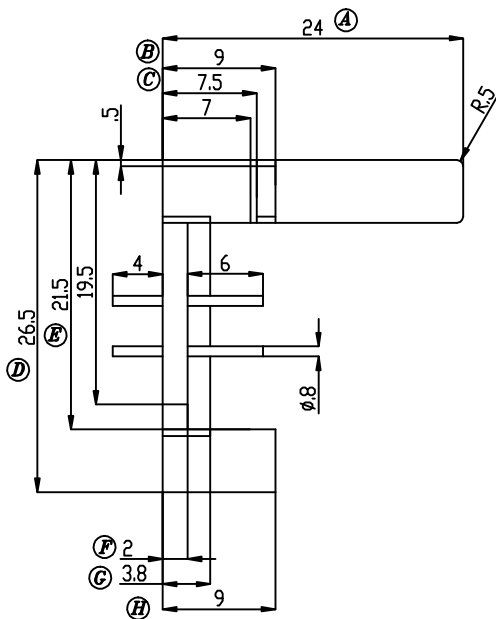
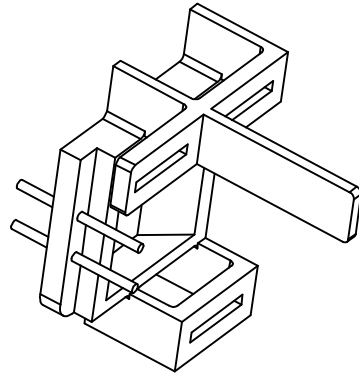
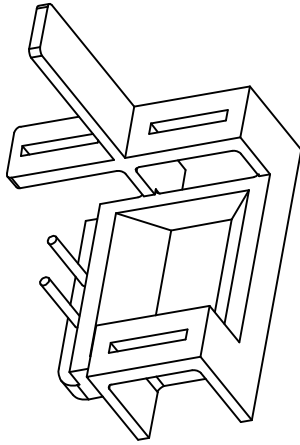



Build up your trust



TITLE: <b>CASE</b>		TOLERANCES		BOBBIN MATERIAL: PPS-R-4		UL REC. UL 94V-0	
DRAWING NO: <b>GS-C049</b>		.x ±0.25	PIN PITCH ±0.2	PIN MATERIAL: CP WIRE		PIN TENSION LOAD: 0.8 MIN	
		.xx ±0.20					
 <b>建信電子制品有限公司</b> GEMSTONE ELECTRONIC PRODUCTS CO., LTD.		UNIT: <b>MM</b>	SCALE: <b>1/1</b>	ANGLE: <b>±1°</b>	DATE: <b>2013-06-04</b>	REV: <b>A2</b>	
ADD: 廣東省東莞市石排鎮石崇大道 TEL: (0769)86514918, 86514919 FAX: 86514878		DRAWN: <b>Lu Kang Ling</b>		CHECK: <b>X. Z</b>		APPROVED:	

REV.	PORTION.	BEFORE REV.	AFTER REV.