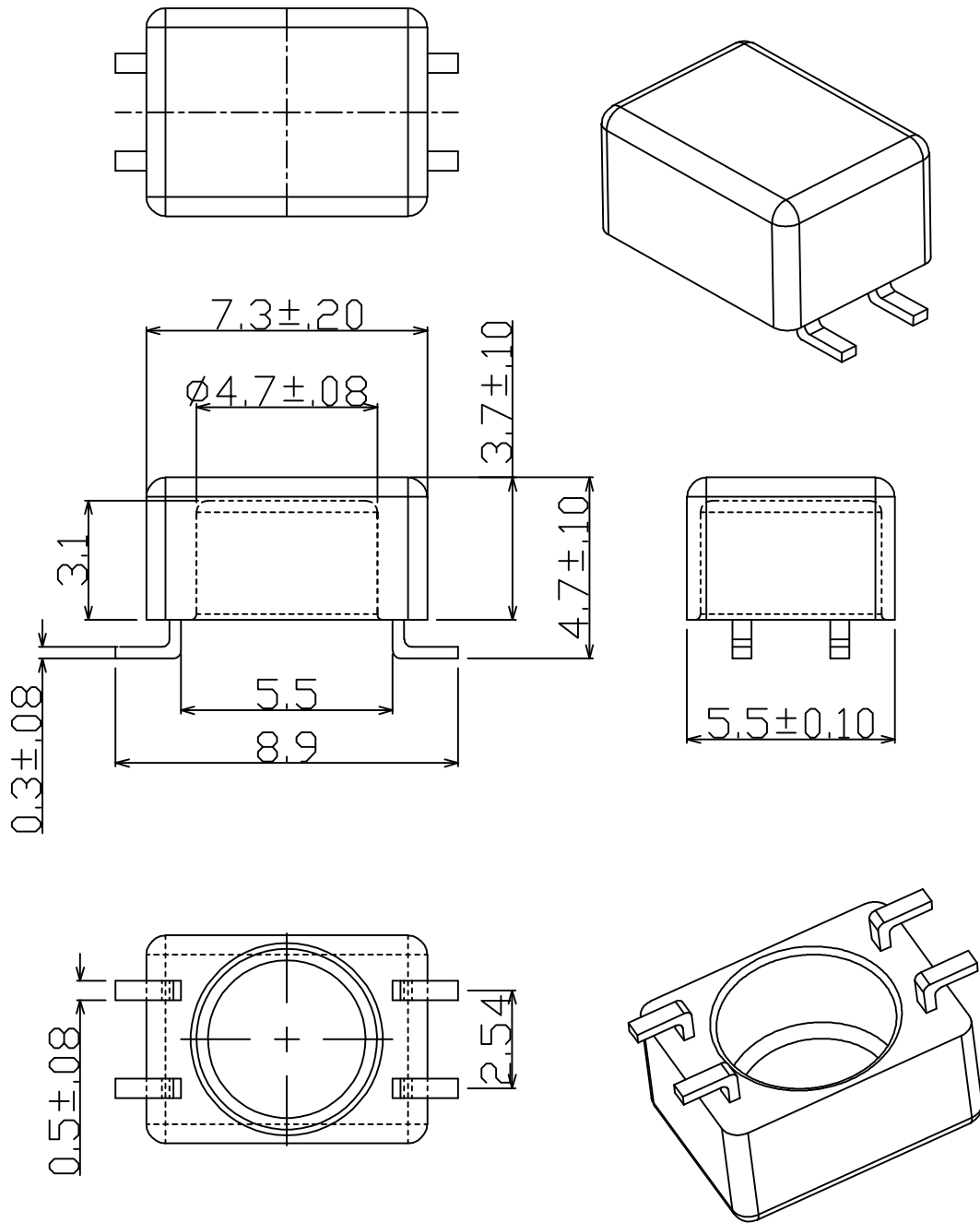



Build up your trust



TITLE:	CASE	TOLERANCES		BOBBIN MATERIAL: DAP WH9100		UL REC. UL 94V-0
DRAWING NO:	GS-C051	0<L≤4 ±0.10	4<L≤16 ±0.20	PIN PITCH ±0.2	PIN MATERIAL: 磷青铜	PIN TENSION LOAD:
 <b>建信電子制品有限公司</b> GEMSTONE ELECTRONIC PRODUCTS CO.,LTD. ADD: 廣東省東莞市石排鎮石崇大道 TEL: (0769) 86514918, 86514919 FAX: 86514878	UNIT:	MM	SCALE:	1/1	ANGLE:	±1°
	DRAWN:	Lu Kang Ling		CHECK:	X. Z	
	DATE:	2013-8-15		REV:	A 2	
APPROVED:						

REV.	PORTION	BEFORE REV.	AFTER REV.
A1	"K"尺寸	A0: 5.4±0.1	A1: 5.5±0.1
A2	"材質"	A1: PM9630	A2: DAP WH9100