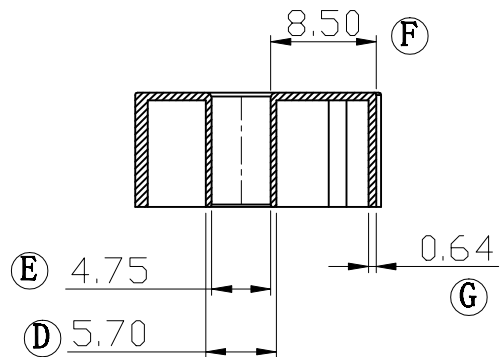
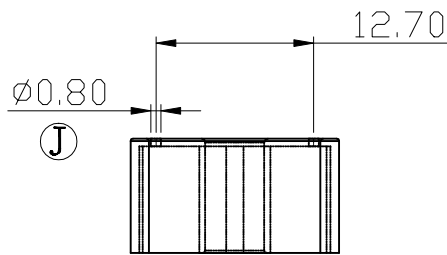
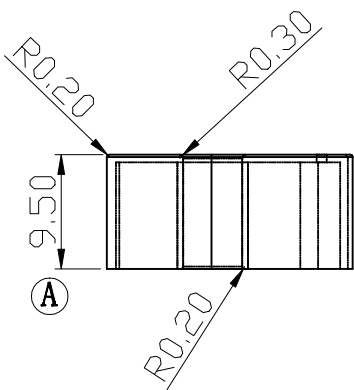
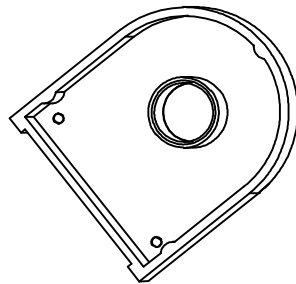
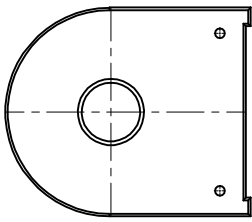
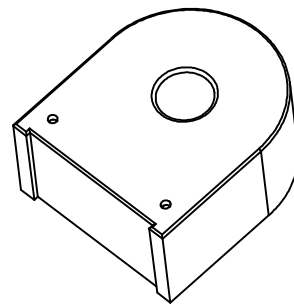
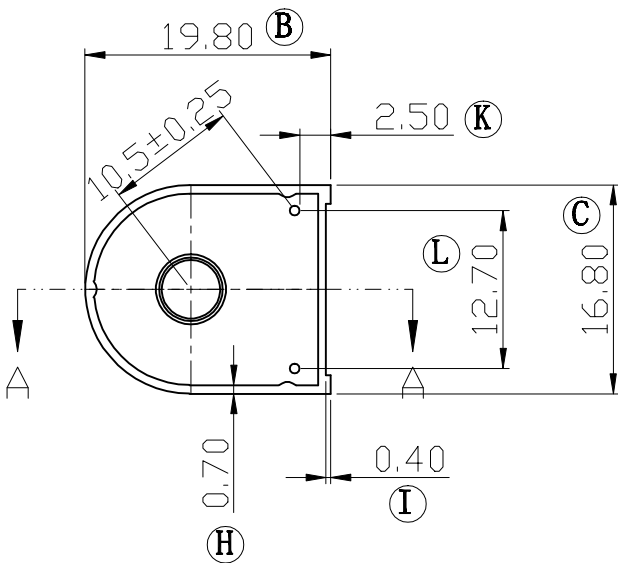



Build up your trust 



SECTION A-A



TITLE: CASE		TOLERANCES		BOBBIN MATERIAL: PET 4410G6(BK)		UL REC. UL 94V-0	
DRAWING NO: GS-C057		0 $L \le 4$ ±0.10		PIN MATERIAL:		PIN TENSION LOAD:	
		4 $L \le 16$ ±0.20					
		16 $L \le 60$ ±0.30					
 建信電子制品有限公司 GEMSTONE ELECTRONIC PRODUCTS CO., LTD. ADD: 廣東省東莞市石排鎮石崇大道 TEL: (0769) 86514918, 86514919 FAX: 86514878		UNIT: MM	SCALE: 1/1	ANGLE: ±1°	DATE: 2013/09/18	REV: AO	
		DRAWN: Lu Kang Ling		CHECK: Xu Zhan		APPROVED:	

REV.	PORTION.	BEFORE REV.	AFTER REV.