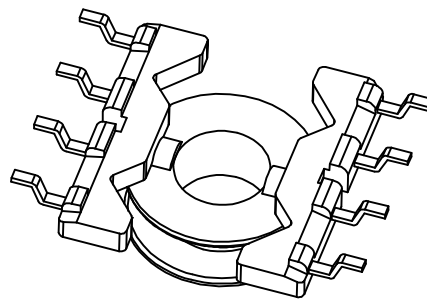
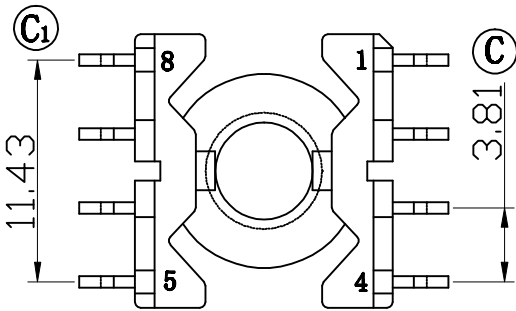
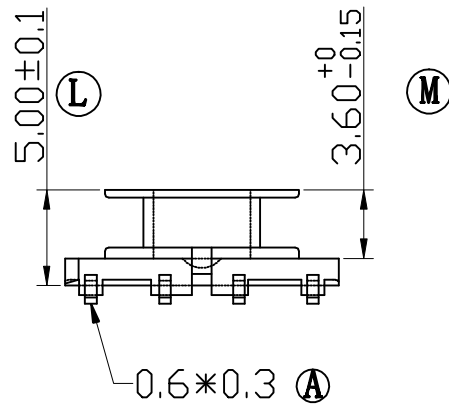
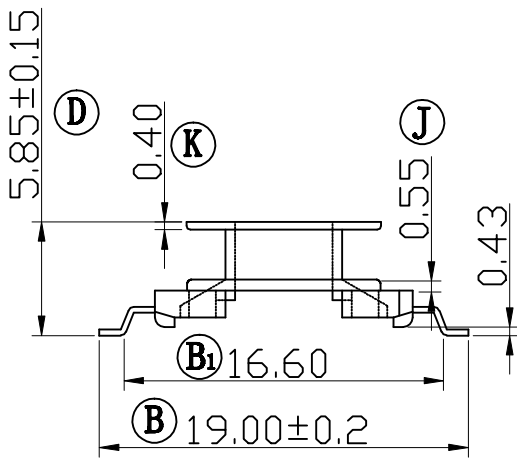
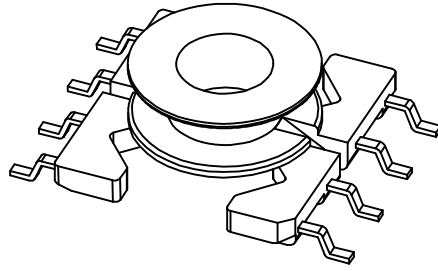
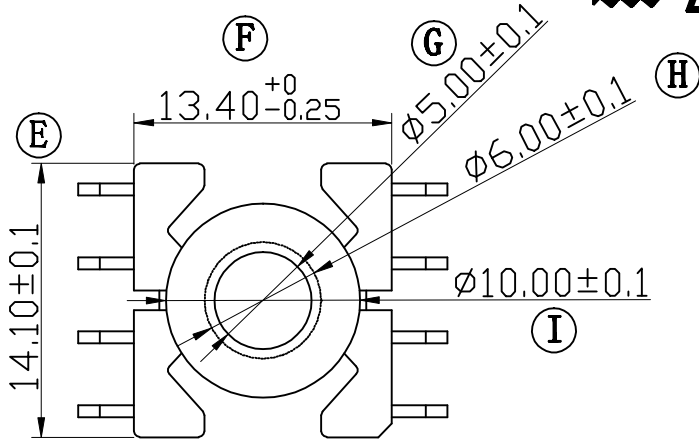


Build up your trust



TITLE: SMD BOBBIN RM5 8PIN		TOLERANCES		BOBBIN MATERIAL: LCP E4008		UL REC. UL 94 V-0	
DRAWING NO: GS-S501		0<L≤4 ±0.1	PIN PITCH ±0.2	PIN MATERIAL: PHOSPHOR BRONZE		PIN TENSION LOAD: 1.5kg MIN	
建信電子制品有限公司 GEMSTONE ELECTRONIC PRODUCTS CO., LTD.		4<L≤16 ±0.2		16<L≤63 ±0.3	ANGLE: ±1°		DATE: 2007/01/08
GEMSTONE		UNIT: MM	SCALE: 2.5/1	CHECK: XU ZHAN		REV: A0	
ADD: 廣東省東莞市石排鎮石崇大道		DRAWN: Wang Ren Jun		APPROVED:			
TEL: (0769)86514918, 86514919 FAX:86514878							

REV.	PORTION.	BEFORE REV.	AFTER REV.