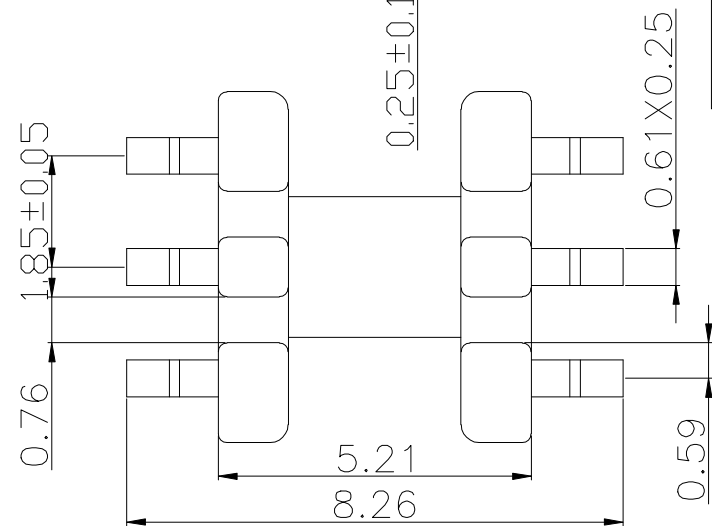
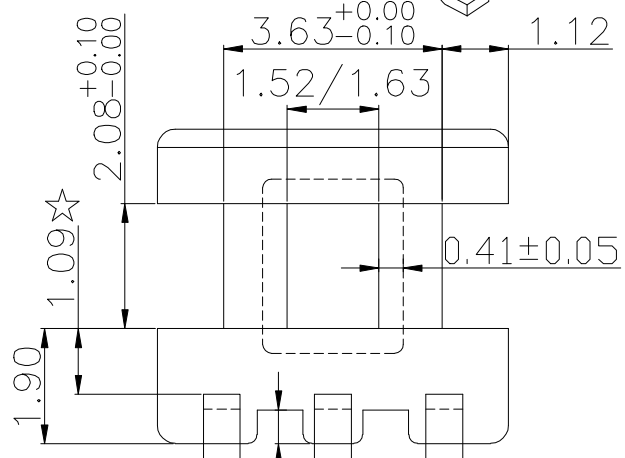
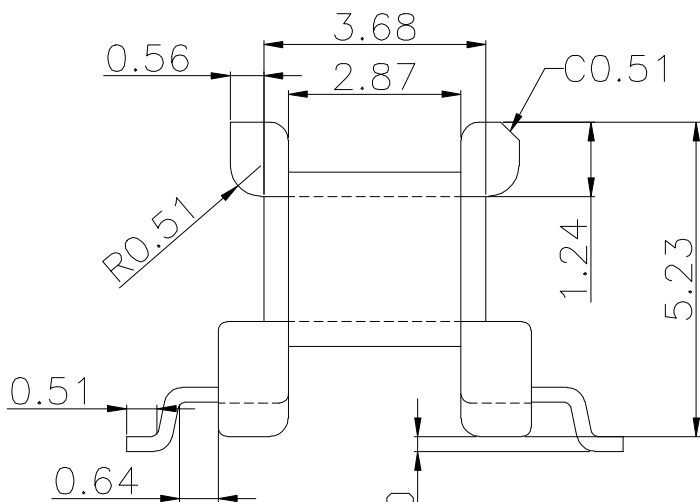
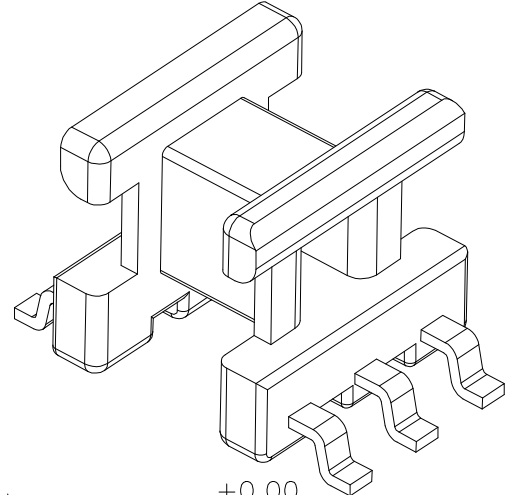
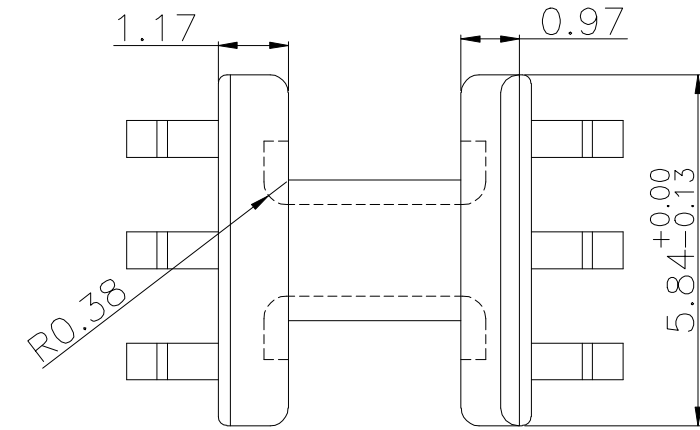
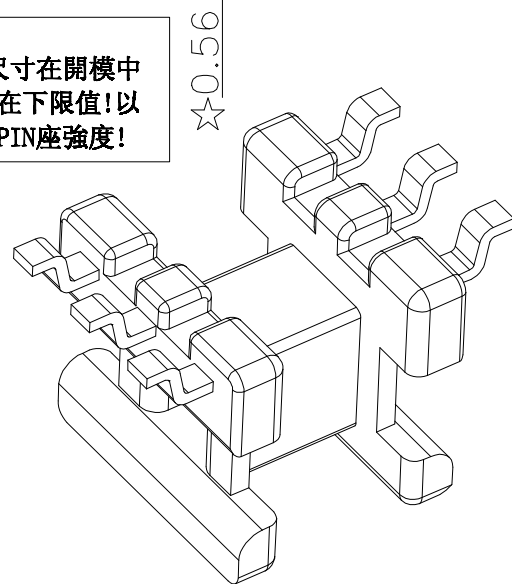



Build up your trust



注：  
☆尺寸在開模中  
控制在下限值！以  
增加PIN座強度！



TITLE: SMD BOBBIN EE-5 6PIN		TOLERANCES		BOBBIN MATERIAL: LCP E4008		UL REC. UL 94V-0	
DRAWING NO: GS-S502 (070-4215/-LF)		±0.13	PIN PITCH ±0.2	PIN MATERIAL: C5191		PIN TENSION LOAD: 1.0 kg MIN	
 <b>建信電子制品有限公司</b> GEMSTONE ELECTRONIC PRODUCTS CO., LTD.	UNIT: MM	SCALE: 8/1	ANGLE: ±1°	DATE: 2007/09/22	REV: A0		
	DRAWN: XU ZHAN		CHECK: XU ZHAN		APPROVED:		

REV.	PORTION.	BEFORE REV.	AFTER REV.