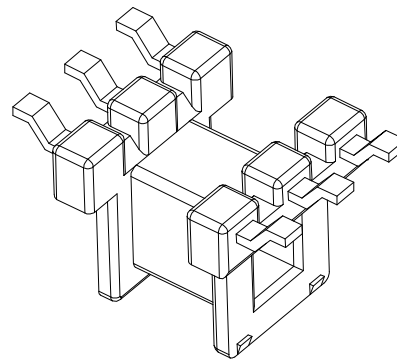
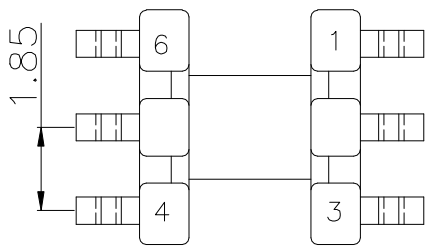
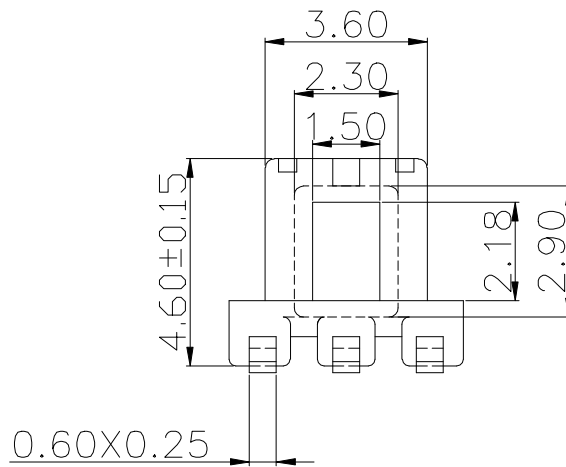
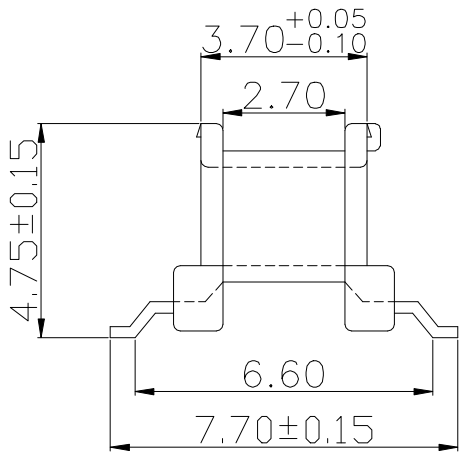
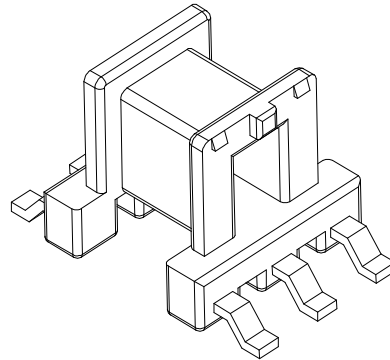
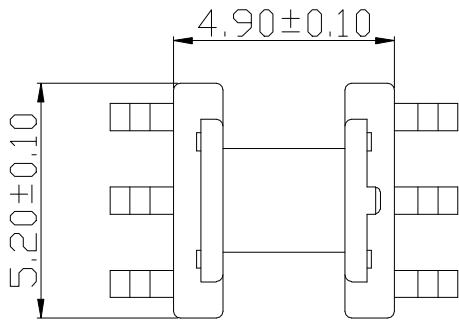



Build up your trust



TITLE: SMD BOBBIN EE-5.0	TOLERANCES		BOBBIN MATERIAL: PM9630	UL REC. UL 94V-0
DRAWING NO: GS-S503	0<L≤4 ±0.1	PIN PITCH ±0.2	PIN MATERIAL: C5191	PIN TENSION LOAD: 1.0 kg MIN
	4<L≤16 ±0.2			
	16<L≤63 ±0.3	UNIT: MM	SCALE: 6/1	ANGLE: ±1°
 建信電子制品有限公司 GEMSTONE ELECTRONIC PRODUCTS CO., LTD. ADD: 廣東省東莞市石排鎮石崇大道 TEL: (0769) 86514918, 86514919 FAX: 86514878	DRAWN: XU ZHAN	CHECK: XU ZHAN	DATE: 2007/10/23	REV: A0

REV.	PORTION.	BEFORE REV.	AFTER REV.