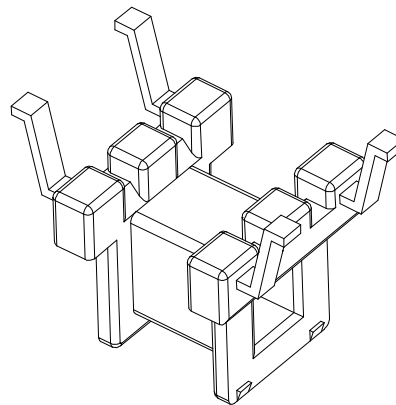
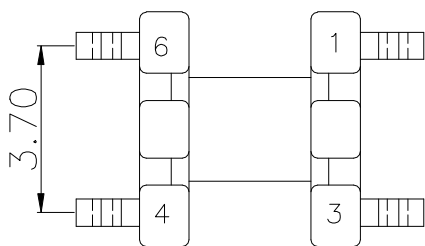
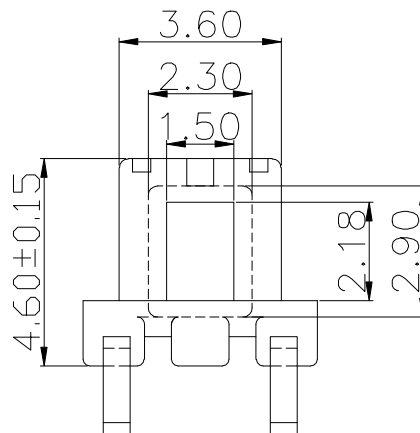
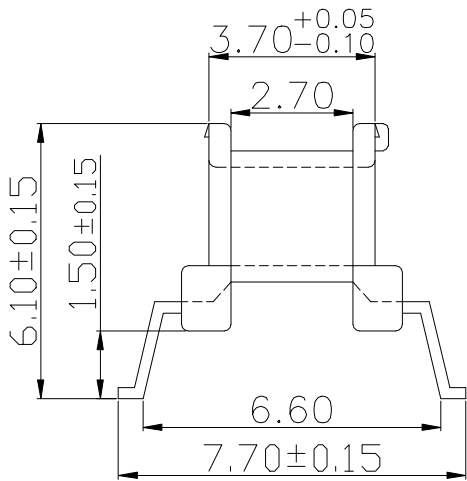
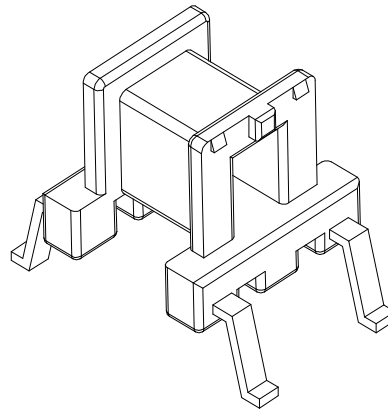
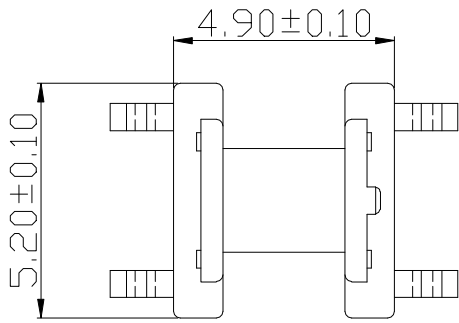



Build up your trust



TITLE: SMD BOBBIN EE-5.0		TOLERANCES		BOBBIN MATERIAL: PM9630		UL REC. UL 94V-0	
DRAWING NO: GS-S503-1		0<L≤4 ±0.1	PIN PITCH ±0.2	PIN MATERIAL: C5191		PIN TENSION LOAD: 1.0 kg MIN	
 建信電子制品有限公司 GEMSTONE ELECTRONIC PRODUCTS CO., LTD. ADD: 廣東省東莞市石排鎮石崇大道 TEL: (0769) 86514918, 86514919 FAX: 86514878		4<L≤16 ±0.2		UNIT: MM	SCALE: 6/1	ANGLE: ±1°	DATE: 2007/10/23
		16<L≤63 ±0.3	DRAWN: XU ZHAN		CHECK: XU ZHAN		APPROVED:

REV.	PORTION.	BEFORE REV.	AFTER REV.