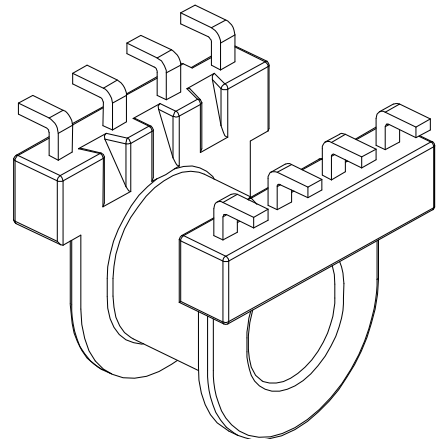
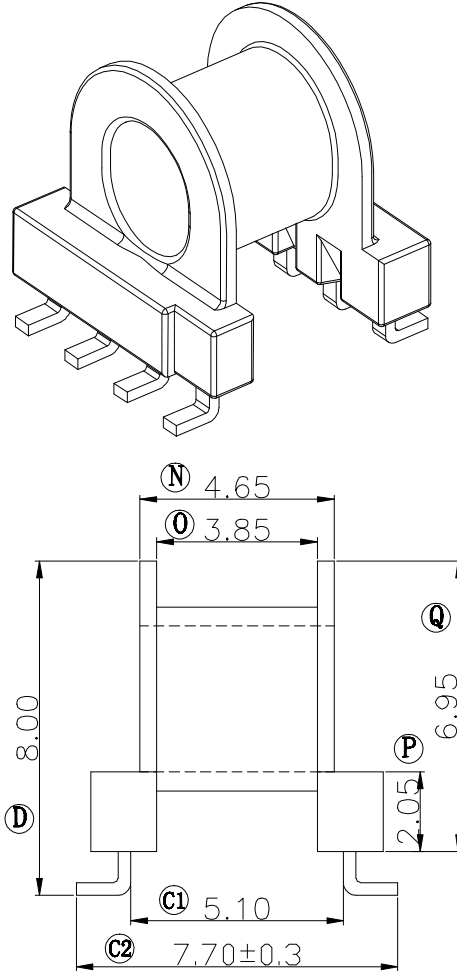
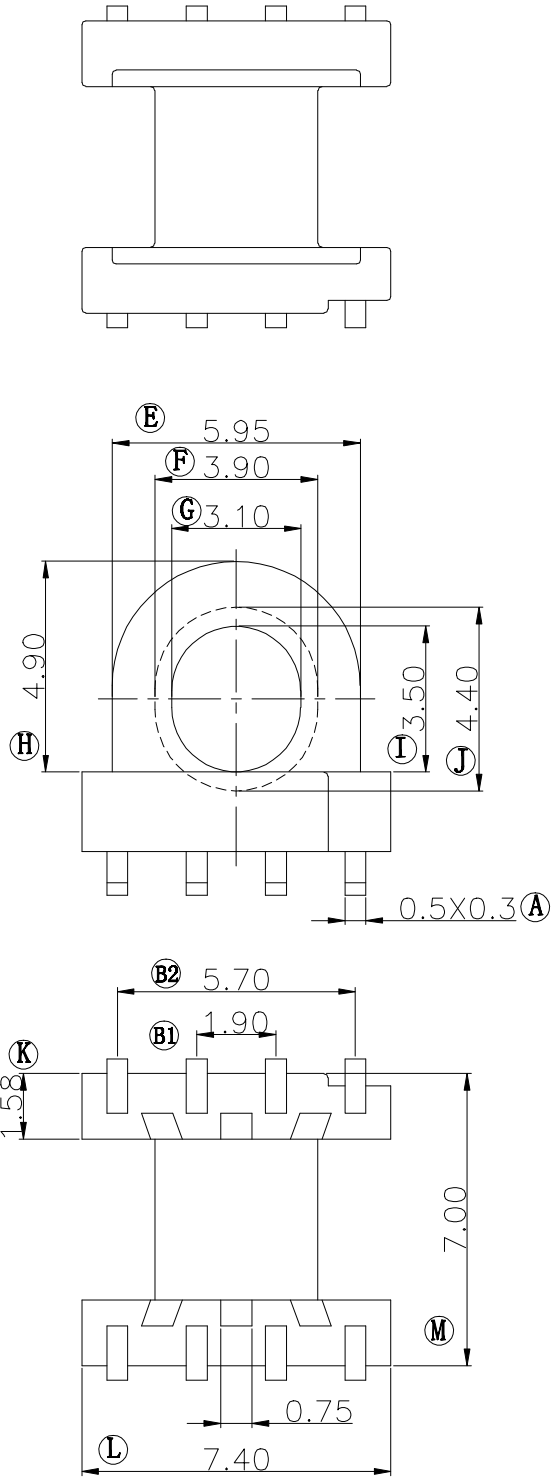



Build up your trust



TITLE: SMD BOBBIN EOP-6 8PIN		TOLERANCES		BOBBIN MATERIAL: PM9630		UL REC. UL 94V-0	
DRAWING NO: GS-S601		0<L ≦4 ±0.1	PIN PITCH ±0.2	PIN MATERIAL: PHOSPHOR BRONZE		PIN TENSION LOAD: 0.8kg MIN	
 建信電子制品有限公司 GEMSTONE ELECTRONIC PRODUCTS CO., LTD.		4<L ≦16 ±0.2		UNIT: MM	SCALE: 5/1	ANGLE: ±1°	DATE: 2009/12/20
ADD: 廣東省東莞市石排鎮石崇大道		DRAWN: XU ZHAN		CHECK: XU ZHAN		APPROVED:	
TEL: (0769)86514918, 86514919 FAX: 86514878							

REV.	PORTION.	BEFORE REV.	AFTER REV.