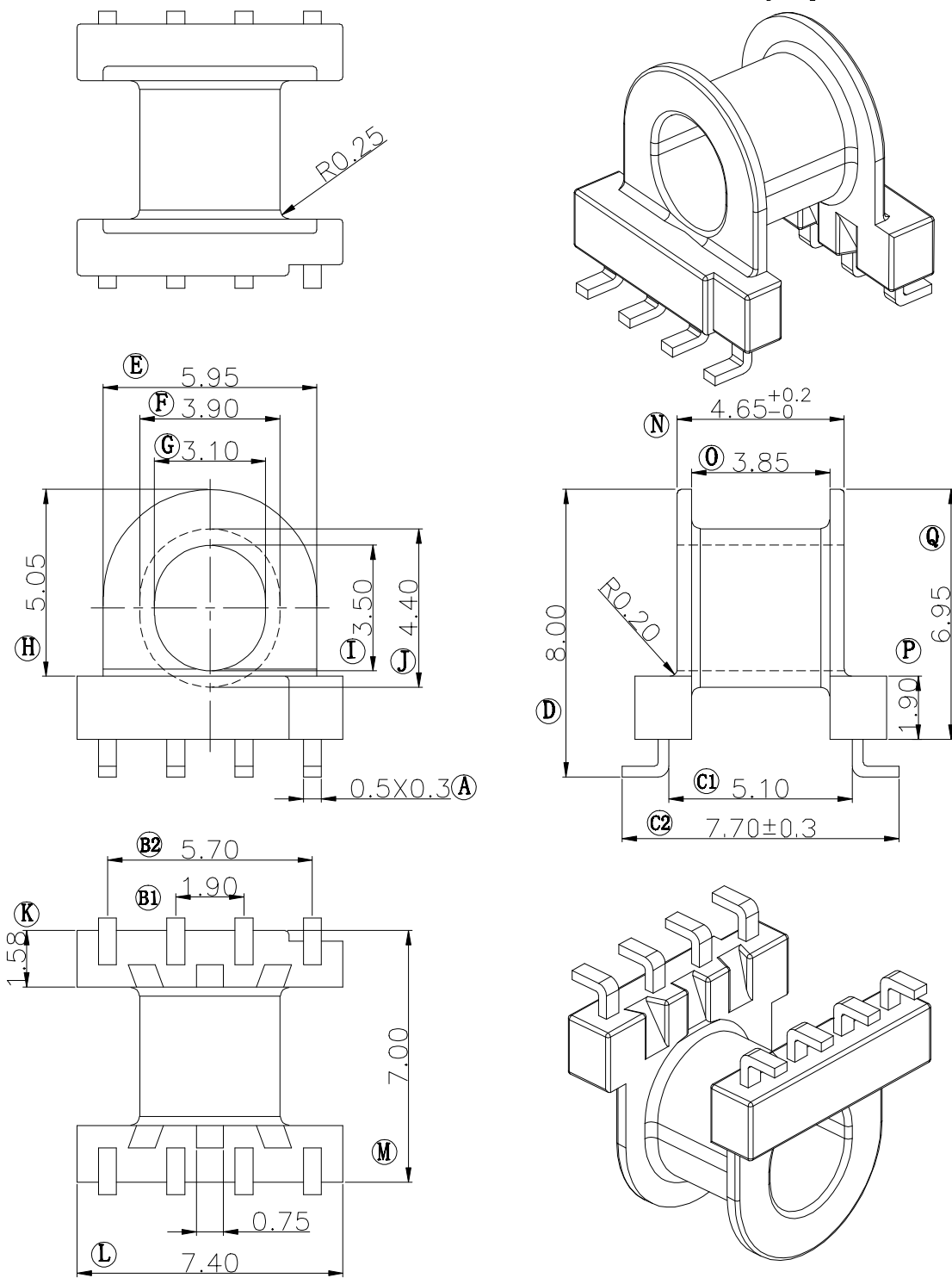


Build up your trust



TITLE: SMD BOBBIN EOP-6 8PIN

DRAWING NO: GS-S601-1

TOLERANCES

0<L ≦4 ±0.1  
4<L ≦16±0.2  
16<L ≦63±0.3

PIN PITCH  
±0.2

BOBBIN MATERIAL:  
PM9630

PIN MATERIAL:  
PHOSPHOR BRONZE

UL REC.  
UL 94V-0

PIN TENSION LOAD:  
0.8kg MIN



建信電子制品有限公司  
GEMSTONE ELECTRONIC PRODUCTS CO., LTD.

UNIT:  
MM

SCALE:  
5/1

ANGLE:  
±1°

DATE:  
2010/08/17

REV:  
A1

DRAWN:  
XU ZHAN

CHECK:  
XU ZHAN

APPROVED:

ADD: 廣東省東莞市石排鎮石崇大道  
TEL: (0769) 86514918, 86514919 FAX: 86514878

REV.	PORTION.	BEFORE REV.	AFTER REV.