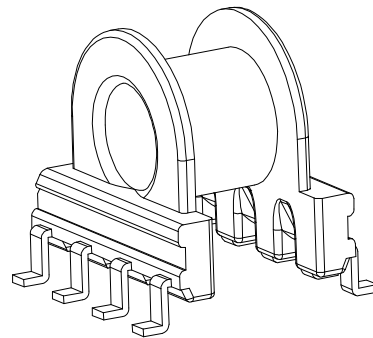
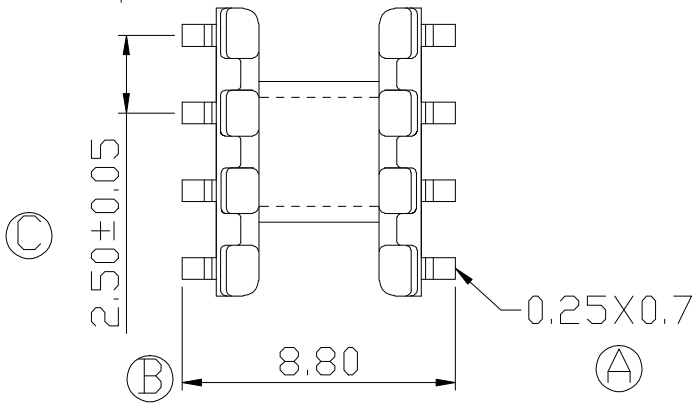
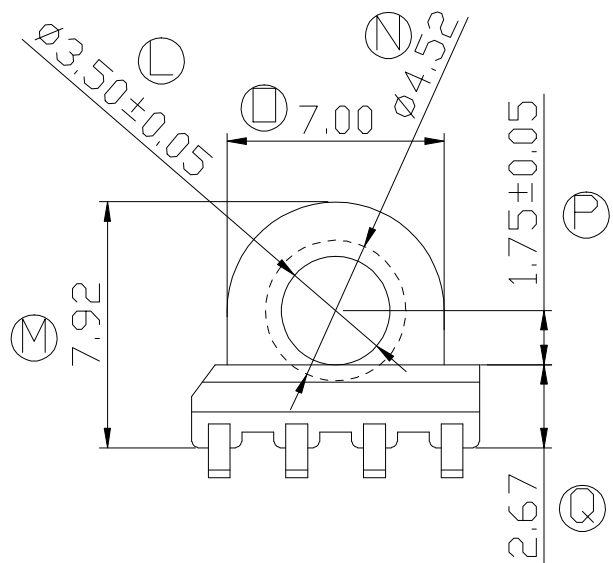
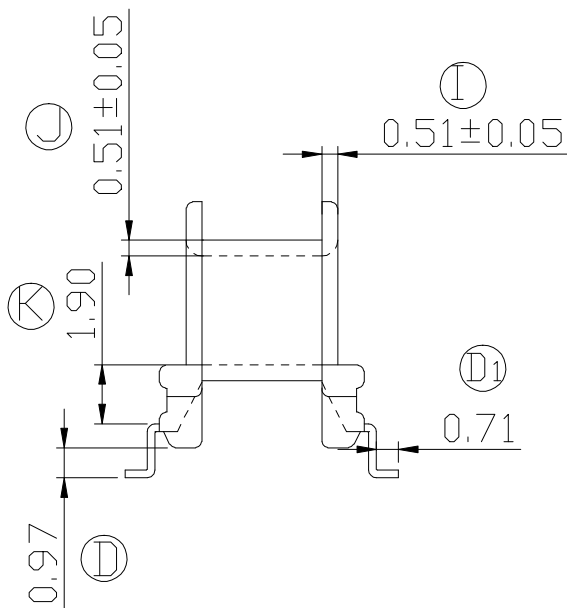
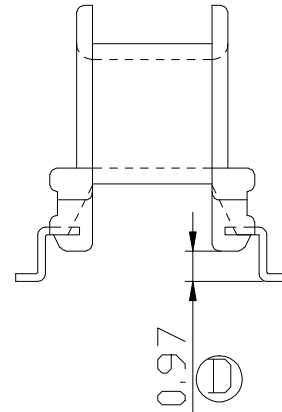
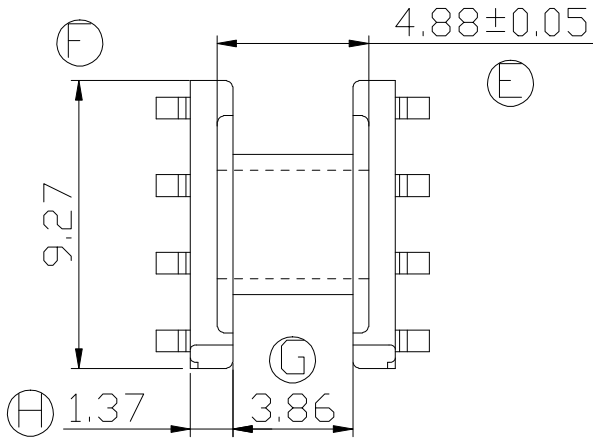



Build up your trust



TITLE: SMD BOBBIN EP-7 8PIN	TOLERANCES		BOBBIN MATERIAL: DAP AM-113	UL REC. UL 94 V-0
	±0.13	PIN PITCH ±0.2	PIN MATERIAL: PHOSPHOR BRONZE	PIN TENSION LOAD: 1.5kg MIN
DRAWING NO: GS-S701A(070-4436)	UNIT: MM	SCALE: 4/1	ANGLE: ±1°	DATE: 2011/06/13
 建信電子制品有限公司 GEMSTONE ELECTRONIC PRODUCTS CO., LTD. ADD: 廣東省東莞市石排鎮石崇大道 TEL: (0769) 86514918, 86514919 FAX: 86514878	DRAWN: QLL	CHECK: XU ZHAN	REV: A2	APPROVED:

REV.	PORTION.	BEFORE REV.	AFTER REV.