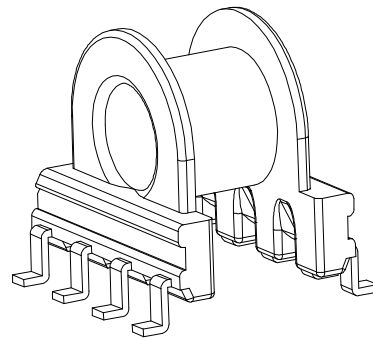
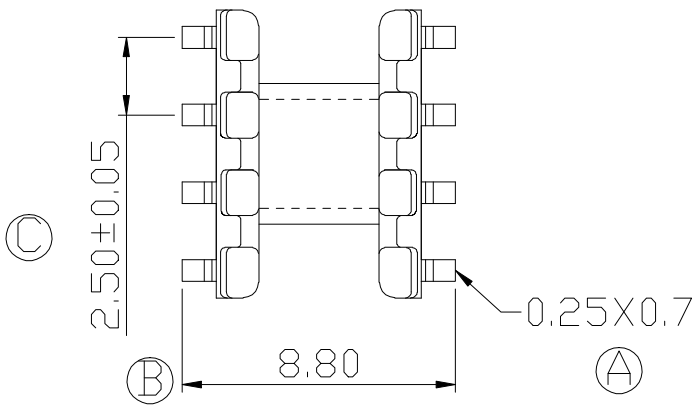
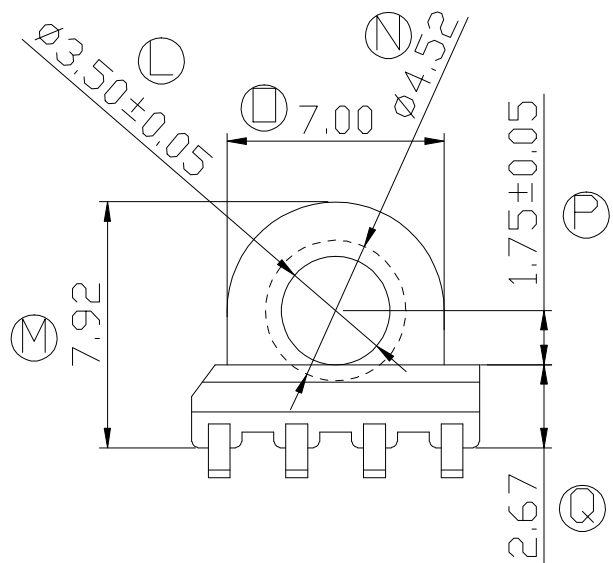
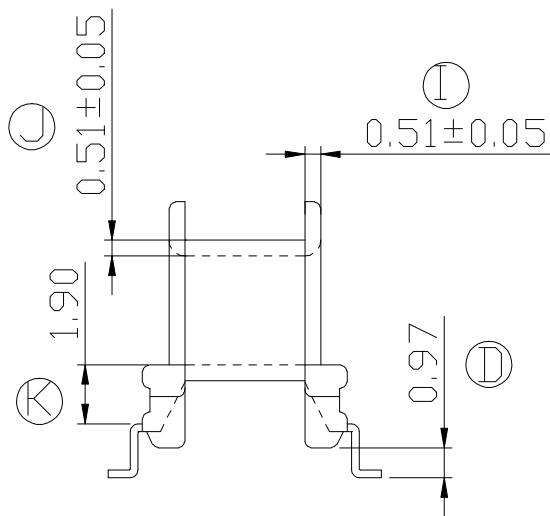
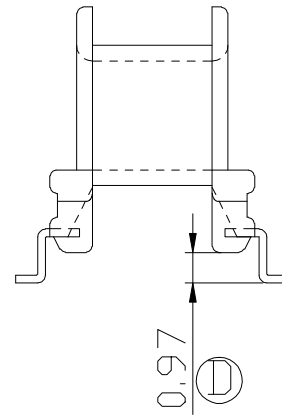
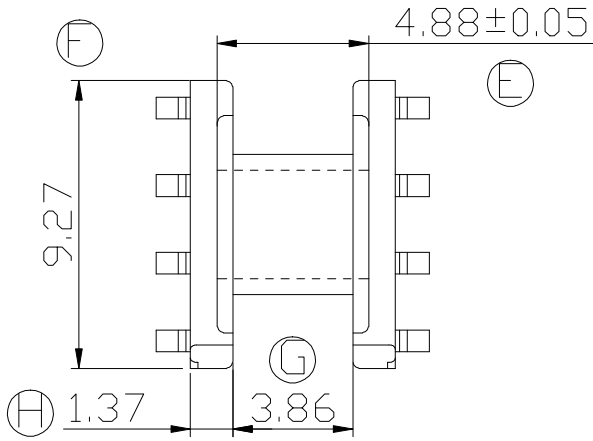



Build up your trust



TITLE:	SMD BOBBIN EP-7 8PIN		TOLERANCES	BOBBIN MATERIAL:	UL REC.
DRAWING NO:	GS-S701		0<L≤4 ±0.1 4<L≤16 ±0.2 16<L≤63 ±0.3	PM9630	UL 94 V-0
 建信電子制品有限公司 GEMSTONE ELECTRONIC PRODUCTS CO., LTD. ADD: 廣東省東莞市石排鎮石崇大道 TEL: (0769) 86514918, 86514919 FAX: 86514878			PIN PITCH	PIN MATERIAL:	PIN TENSION LOAD:
			±0.2	PHOSPHOR BRONZE	1.5kg MIN
UNIT:	SCALE:	ANGLE:	DATE:	REV:	
MM	4/1	±1°	2006/05/15	A0	
DRAWN:	CHECK:	APPROVED:			
	HZP	XU ZHAN			

REV.	PORTION.	BEFORE REV.	AFTER REV.