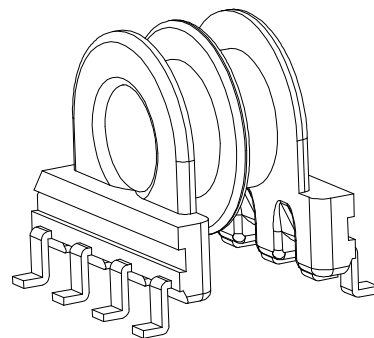
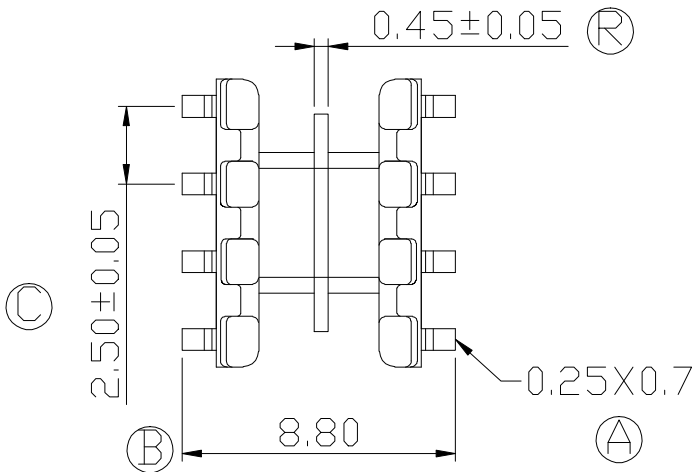
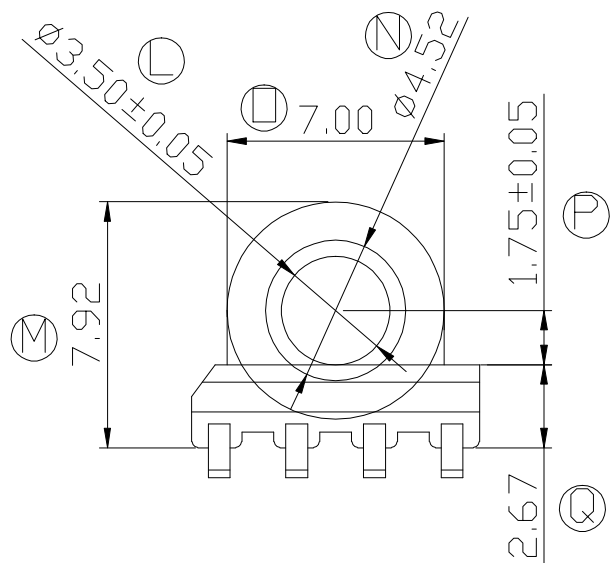
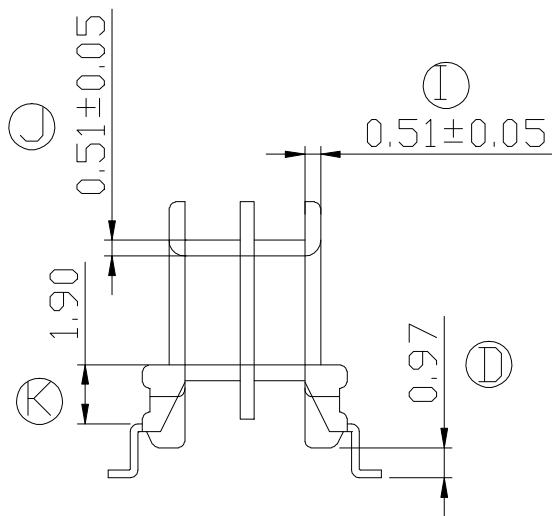
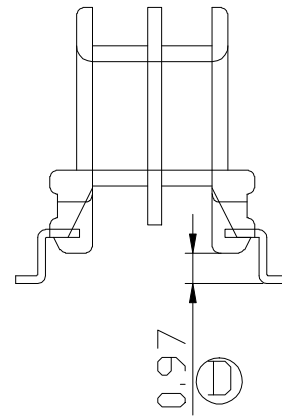
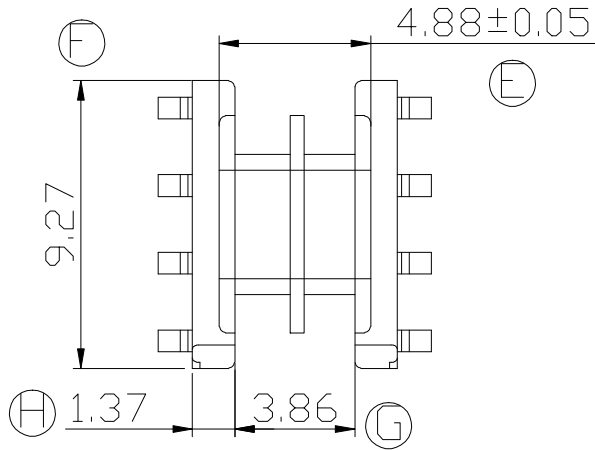


Build up your trust



TITLE: SMD BOBBIN EP-7(双槽) 8PIN	TOLERANCES		BOBBIN MATERIAL: DAP AM113	UL REC. UL 94 V-0	
	0<L≤4 ±0.1	PIN PITCH ±0.2	PIN MATERIAL: PHOSPHOR BRONZE	PIN TENSION LOAD: 1.5kg MIN	
4<L≤16 ±0.2	UNIT: MM				SCALE: 4/1
DRAWING NO: GS-S701-1	16<L≤63 ±0.3		DRAWN: HZP	CHECK: XU ZHAN	APPROVED:

**GEMSTONE** 建信電子制品有限公司  
GEMSTONE ELECTRONIC PRODUCTS CO., LTD.

ADD: 廣東省東莞市石排鎮石崇大道  
TEL: (0769) 86514918, 86514919 FAX: 86514878

REV.	PORTION.	BEFORE REV.	AFTER REV.