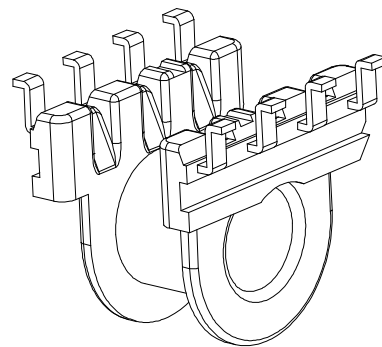
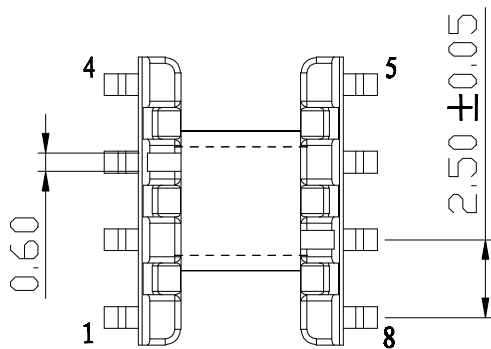
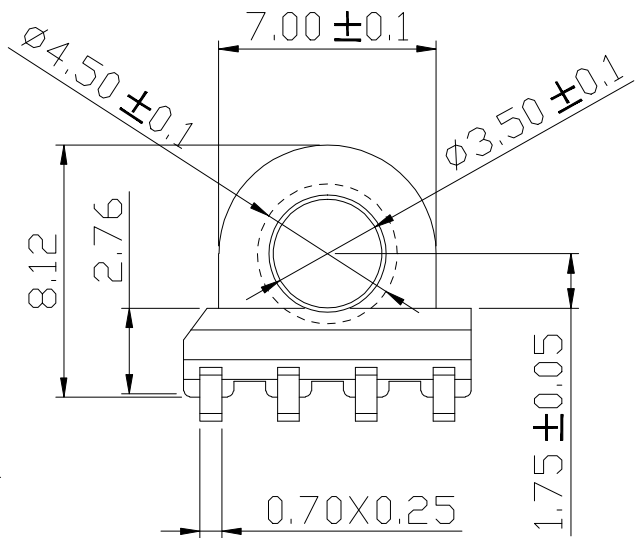
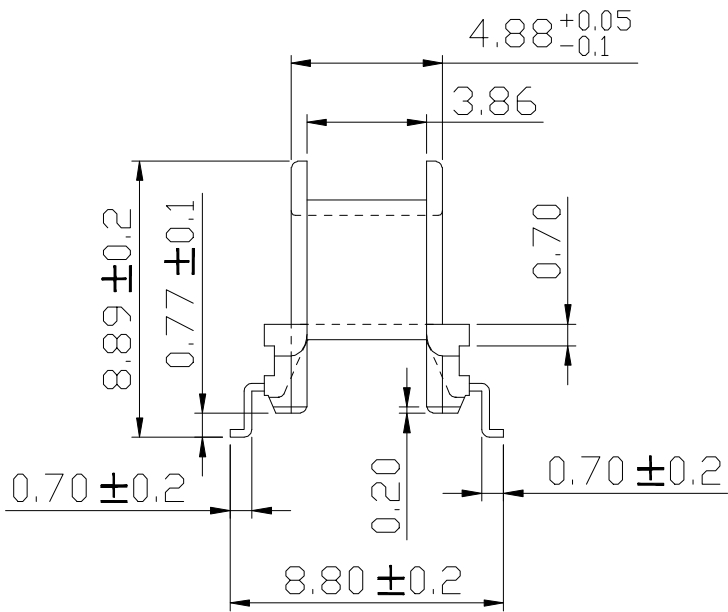
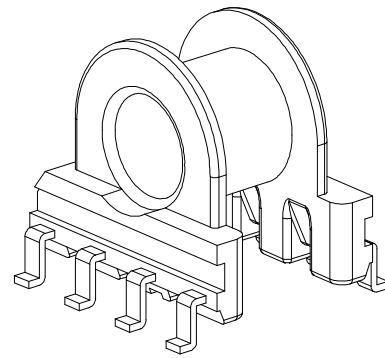
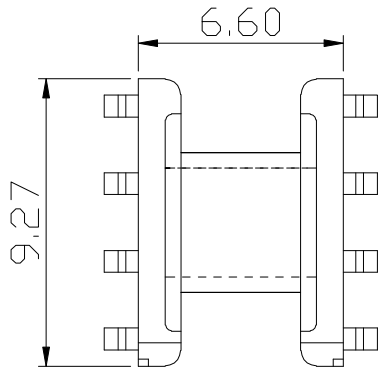



Build up your trust



|  |                |                |                               |                             |
|--|----------------|----------------|-------------------------------|-----------------------------|
| TITLE: SMD BOBBIN EP-7 8PIN  | TOLERANCES     |                | BOBBIN MATERIAL: PM9630       | UL REC. UL 94 V-0           |
| DRAWING NO: GS-S701-3  | 0<L≤4 ±0.1     | PIN PITCH ±0.2 | PIN MATERIAL: PHOSPHOR BRONZE | PIN TENSION LOAD: 1.5kg MIN |
|  | 4<L≤16 ±0.2    |                |                               |                             |
|  | 16<L≤63 ±0.3   |                |                               |                             |
|  <b>建信電子制品有限公司</b><br>GEMSTONE ELECTRONIC PRODUCTS CO., LTD.<br>ADD: 廣東省東莞市石排鎮石崇大道<br>TEL: (0769) 86514918, 86514919 FAX: 86514878 | UNIT: MM       | SCALE: 4/1     | ANGLE: ±1°                    | DATE: 2011/12/02            |
|  | DRAWN: XU ZHAN |                | CHECK: XU ZHAN                | REV: A2                     |

|      |          |             |            |
|------|----------|-------------|------------|
| REV. | PORTION. | BEFORE REV. | AFTER REV. |
|      |          |             |            |
|      |          |             |            |
|      |          |             |            |