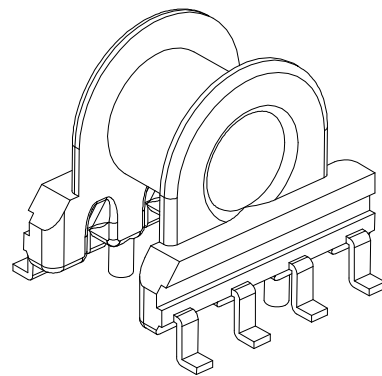
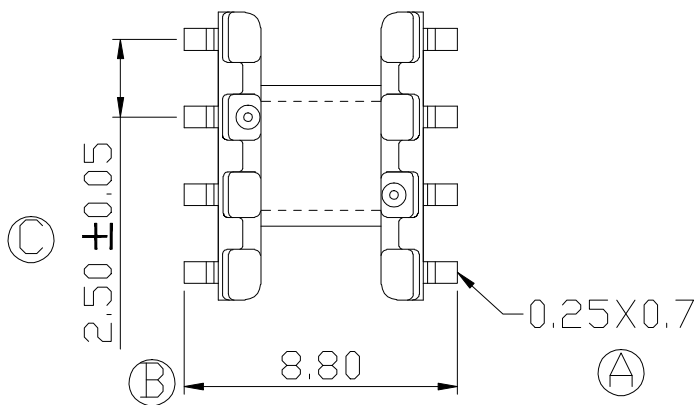
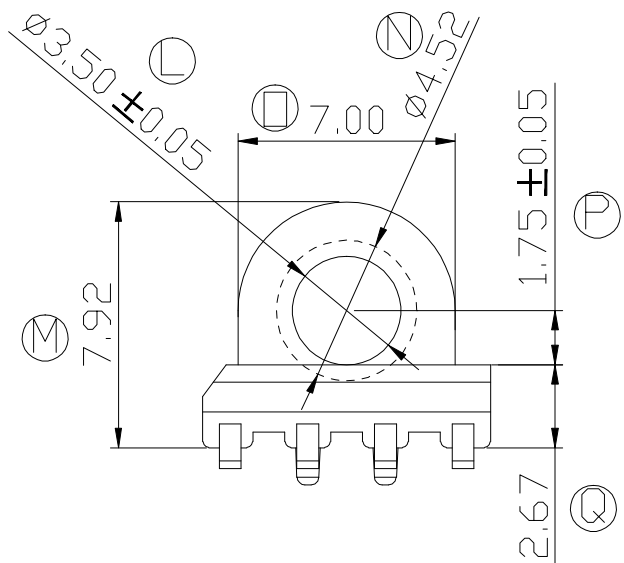
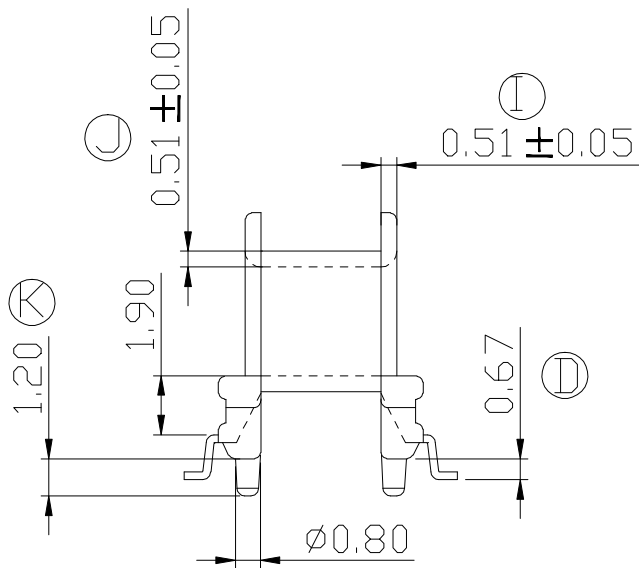
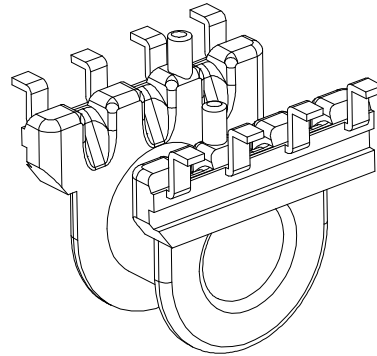
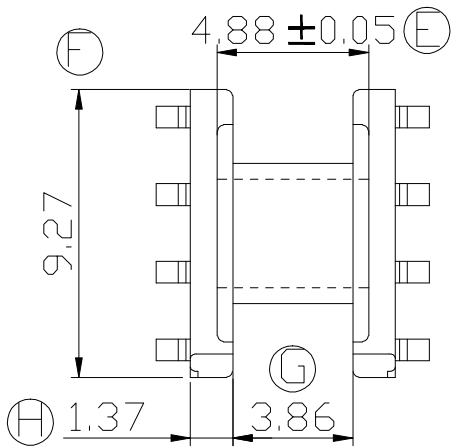



Build up your trust



TITLE: SMD BOBBIN EP-7 8PIN	TOLERANCES		BOBBIN MATERIAL: PM9630	UL REC. UL 94 V-0
DRAWING NO: GS-S701-4	0<L≤4 ±0.1 4<L≤16 ±0.2 16<L≤63 ±0.3	PIN PITCH ±0.2	PIN MATERIAL: PHOSPHOR BRONZE	PIN TENSION LOAD: 1.5kg MIN
 建信電子制品有限公司 GEMSTONE ELECTRONIC PRODUCTS CO., LTD. ADD: 廣東省東莞市石排鎮石崇大道 TEL: (0769) 86514918, 86514919 FAX: 86514878	UNIT: MM	SCALE: 4/1	ANGLE: ±1°	DATE: 2013/04/23
	DRAWN: LKL	CHECK: XU ZHAN	REV: A1	APPROVED:

REV.	PORTION.	BEFORE REV.	AFTER REV.