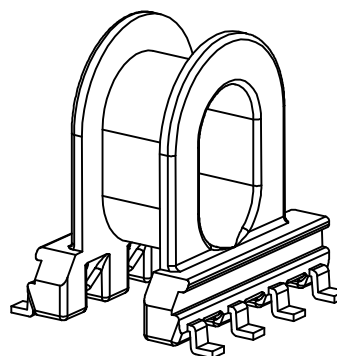
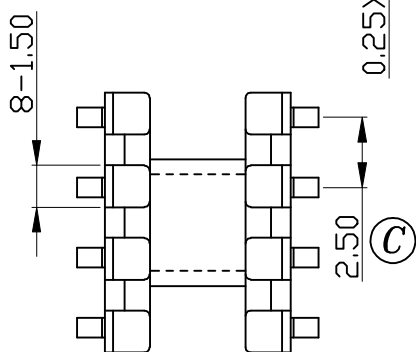
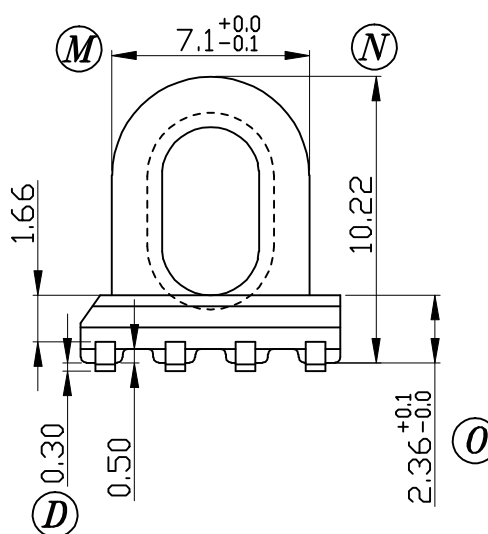
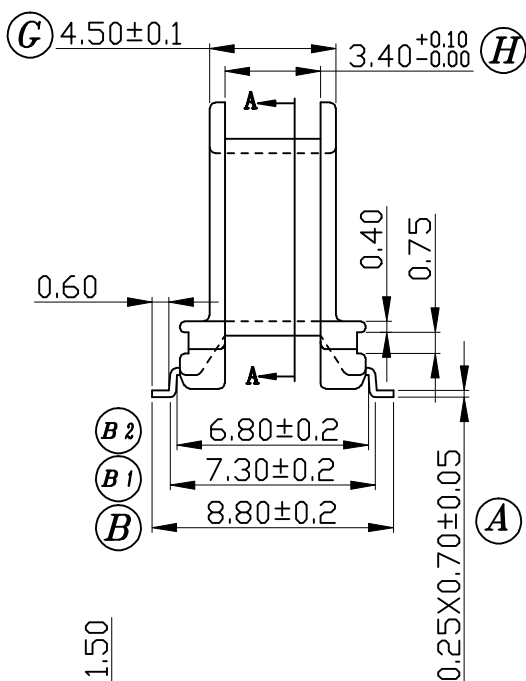
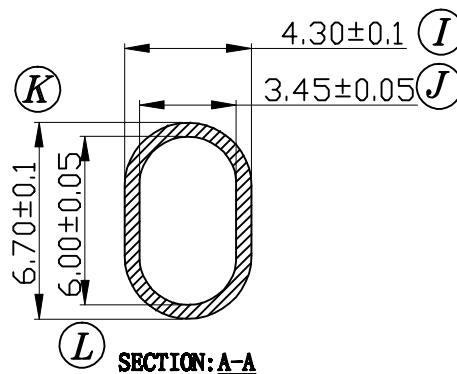
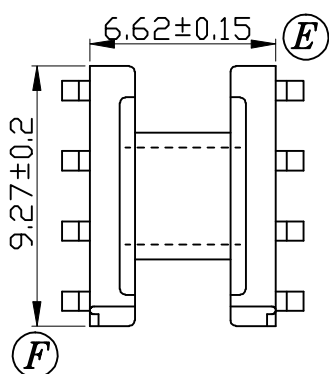


Build up your trust



TITLE: SMD EOP 7 (8PIN)

DRAWING NO: GS-S702

**GEMSTONE** 建信電子制品有限公司  
GEMSTONE ELECTRONIC PRODUCTS CO., LTD.

ADD: 廣東省東莞市石排鎮石崇大道  
TEL: (0769) 86514918, 86514919 FAX: 86514878

TOLERANCES

±0.10

UNIT: MM

SCALE: 4/1

DRAWN: L. K. L

BOBBIN MATERIAL: PHENOLIC PM9630

PIN MATERIAL: PHOSPHOR BRONZE

ANGLE: ±1°

CHECK: XU ZHAN

UL REC. UL 94V-0

PIN TENSION LOAD: 1.5KG MIN

REV: A3

APPROVED:

REV.

A3

PORTION

1"尺寸

BEFORE REV.

5.85±0.05"

AFTER REV.

6.00±0.05"