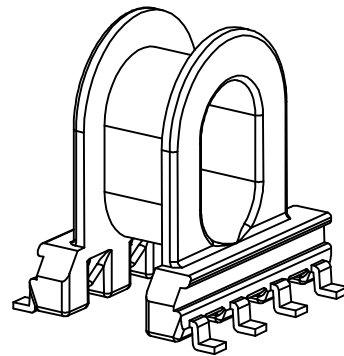
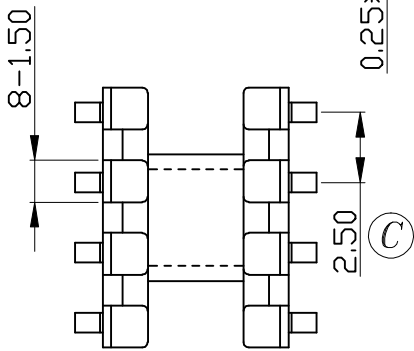
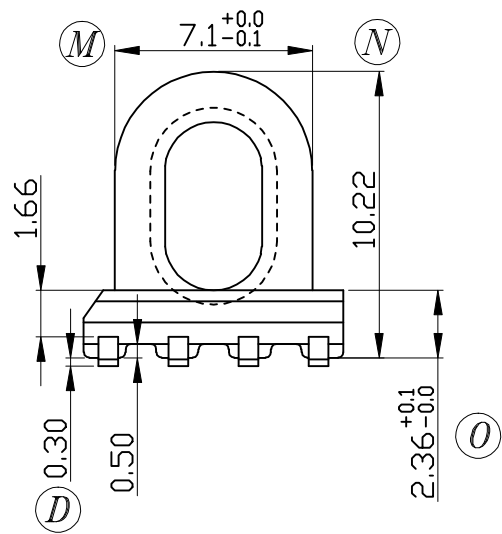
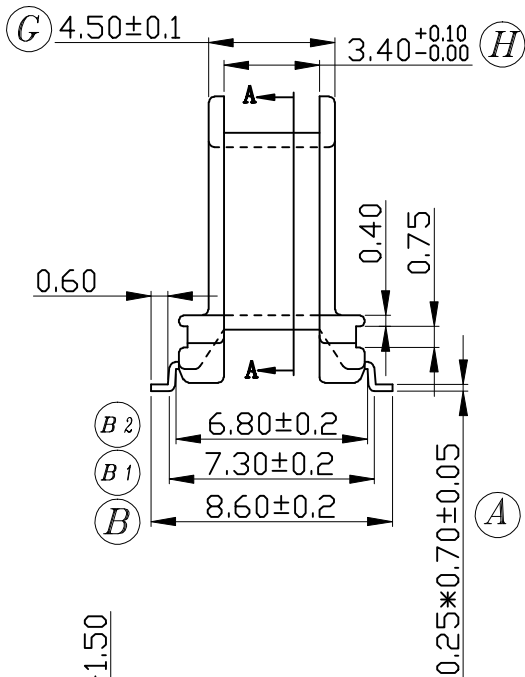
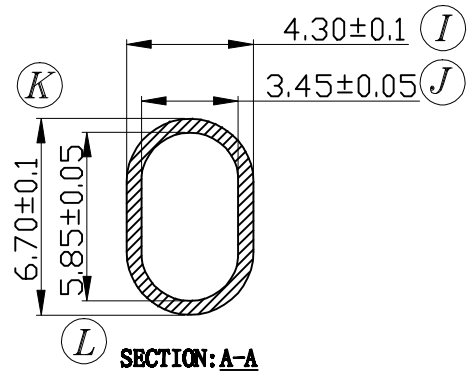
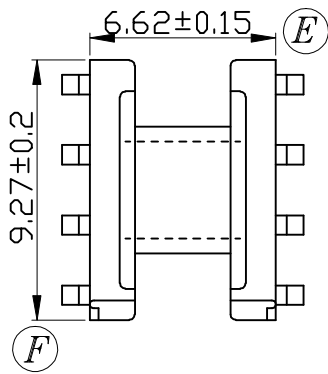



Build up your trust



TITLE: SMD EOP 7 (8PIN)	TOLERANCES		BOBBIN MATERIAL: PHENOLIC PM9630		UL REC. UL 94V-0
DRAWING NO: GS-S702-1	±0.10		PIN MATERIAL: PHOSPHOR BRONZE		PIN TENSION LOAD: 1.5KG MIN
 <b>建信電子制品有限公司</b> GEMSTONE ELECTRONIC PRODUCTS CO., LTD. ADD: 廣東省東莞市石排鎮石崇大道 TEL: (0769) 86514918, 86514919 FAX: 86514878	UNIT: MM	SCALE: 4/1	ANGLE: ±1°	DATE: 2009/12/12	REV: A2
	DRAWN: XU ZHAN		CHECK: XU ZHAN		APPROVED:

REV.	PORTION.	BEFORE REV.	AFTER REV.