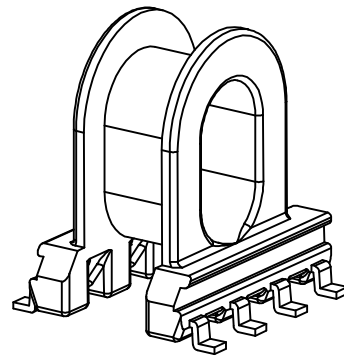
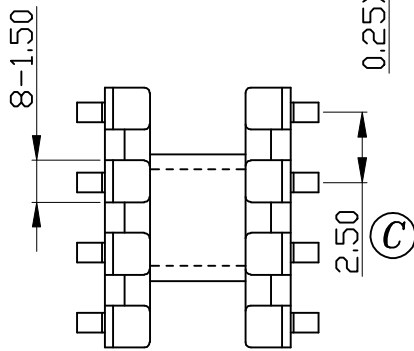
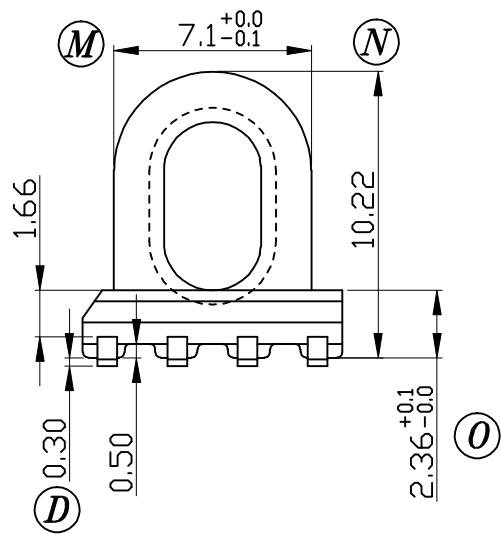
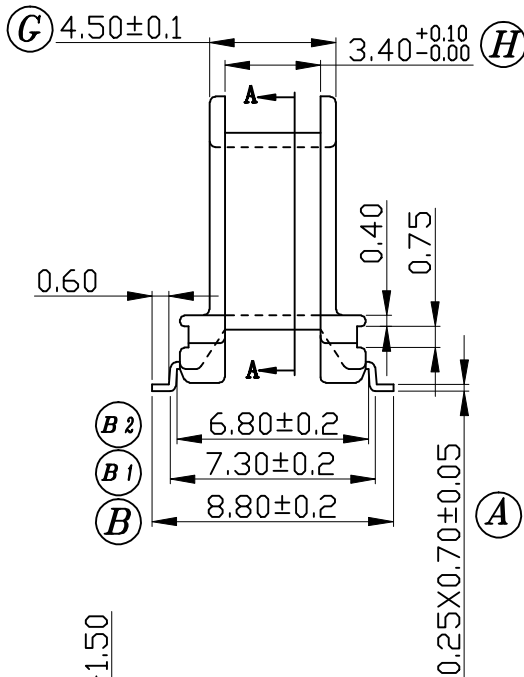
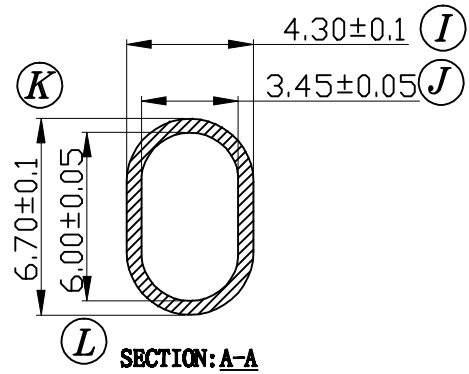
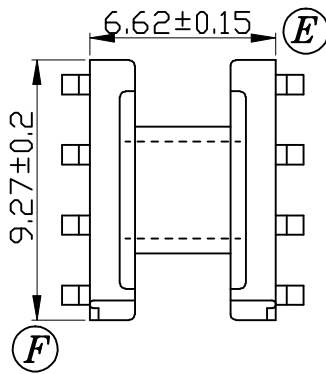



Build up your trust



TITLE: SMD EOP 7 (8PIN)	TOLERANCES		BOBBIN MATERIAL: PHENOLIC PM9630	UL REC. UL 94V-0
	±0.10		PIN MATERIAL: PHOSPHOR BRONZE	PIN TENSION LOAD: 1.5KG MIN
DRAWING NO: GS-S702-2	UNIT: MM	SCALE: 4/1	ANGLE: ±1°	DATE: 2013/09/14
 建信電子制品有限公司 GEMSTONE ELECTRONIC PRODUCTS CO., LTD. ADD: 廣東省東莞市石排鎮石崇大道 TEL: (0769) 86514918, 86514919 FAX: 86514878	DRAWN: L. K. L		CHECK: XU ZHAN	REV: A0
				APPROVED:

REV.	PORTION.	BEFORE REV.	AFTER REV.