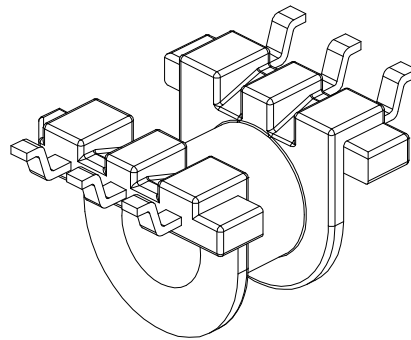
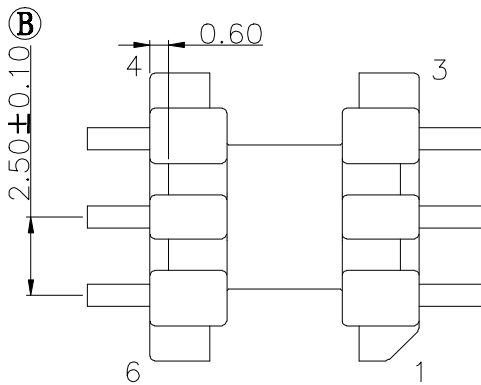
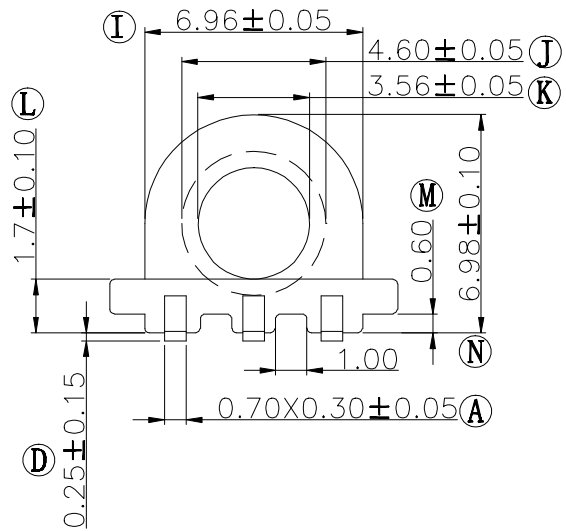
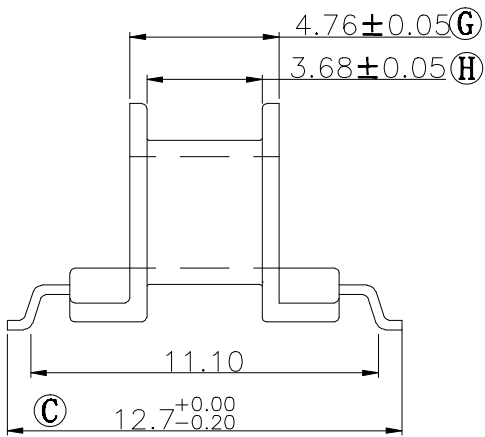
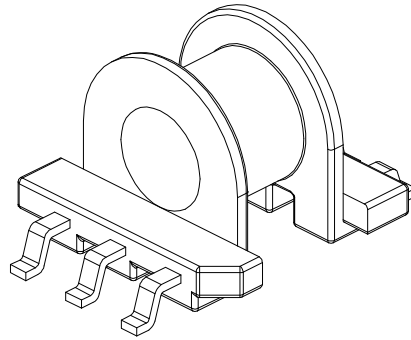
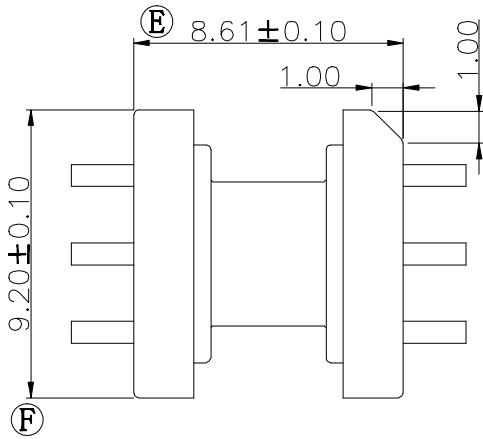


Build up your trust



**TITLE: SMD BOBBIN EP-7 6PIN**

**DRAWING NO: GS-S703**

**TOLERANCES**

0 <math>L \le 4 \pm 0.1</math>  
 4 <math>L \le 16 \pm 0.2</math>  
 16 <math>L \le 63 \pm 0.3</math>

**PIN PITCH**

$\pm 0.2$

**BOBBIN MATERIAL:**  
 PM9630

**PIN MATERIAL:**  
 PHOSPHOR BRONZE

**UL REC.**  
 UL 94V-0

**PIN TENSION LOAD:**  
 1.0Kg MIN

**GEMSTONE 建信電子制品有限公司**  
 GEMSTONE ELECTRONIC PRODUCTS CO., LTD.

**ADD: 廣東省東莞市石排鎮石崇大道**  
**TEL: (0769) 86514918, 86514919 FAX: 86514878**

**UNIT:**  
 MM

**SCALE:**  
 4/1

**ANGLE:**  
 $\pm 1^\circ$

**DATE:**  
 2010/02/05

**REV:**  
 A0

**DRAWN:**  
 L. W

**CHECK:**  
 XU ZHAN

**APPROVED:**

BEFORE REV.

AFTER REV.