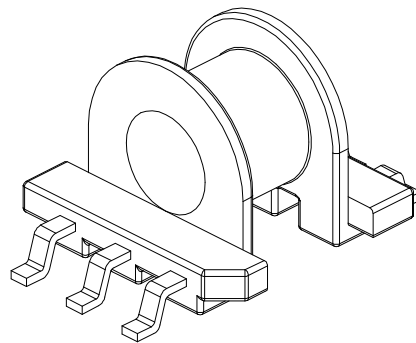
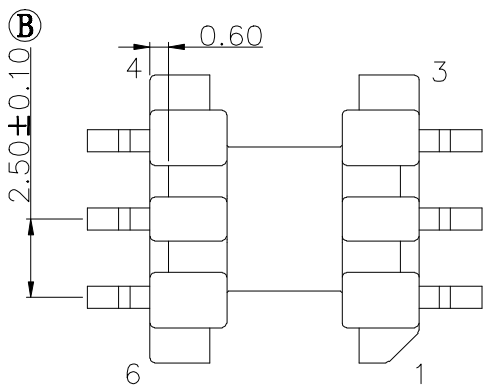
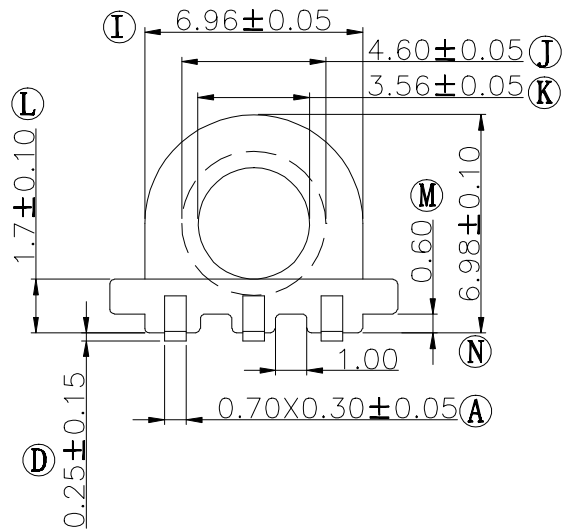
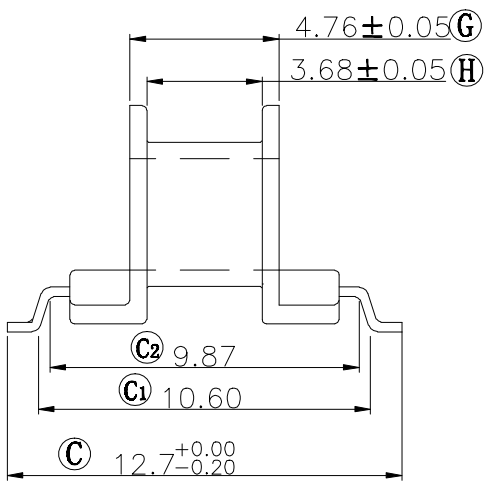
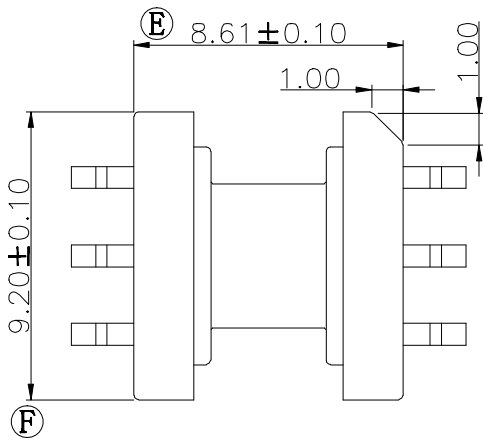


Build up your trust



TITLE: SMD BOBBIN EP-7 6PIN

DRAWING NO: GS-S703-1

TOLERANCES

0 <math><L \le 4</math> ± 0.1
4 <math><L \le 16</math> ± 0.2
16 <math><L \le 63</math> ± 0.3

PIN PITCH
± 0.2

BOBBIN MATERIAL:
PM9630

PIN MATERIAL:
PHOSPHOR BRONZE

UL REC.
UL 94V-0

PIN TENSION LOAD:
1.0Kg MIN

GEMSTONE 建信電子制品有限公司
GEMSTONE ELECTRONIC PRODUCTS CO., LTD.

ADD: 廣東省東莞市石排鎮石崇大道
TEL: (0769) 86514918, 86514919 FAX: 86514878

UNIT:
MM

SCALE:
4/1

ANGLE:
± 1°

DATE:
2011/09/21

REV:
A0

DRAWN:
L. W

CHECK:
XU ZHAN

APPROVED:

BEFORE REV.

AFTER REV.