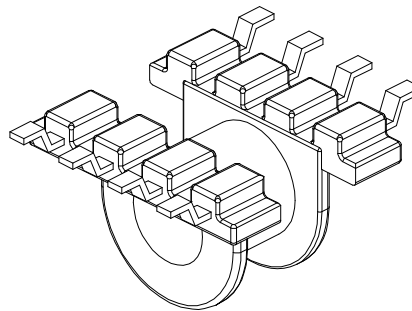
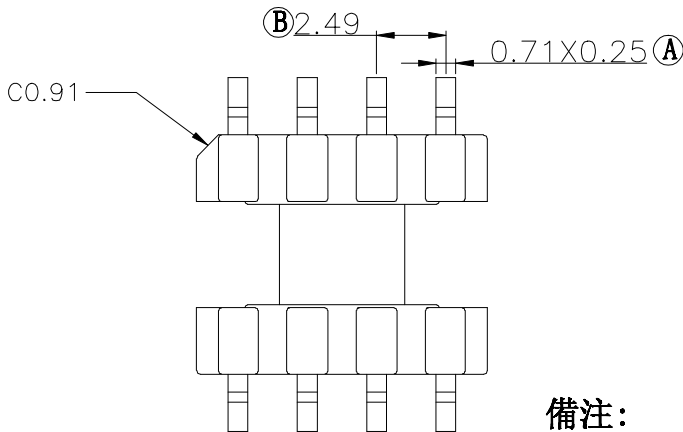
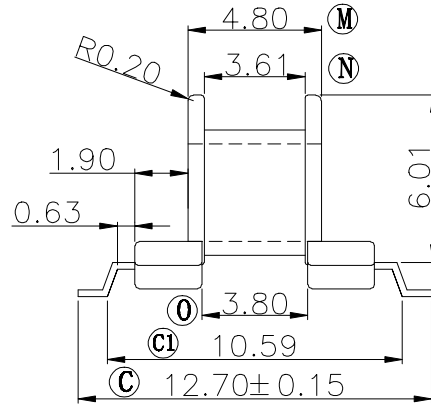
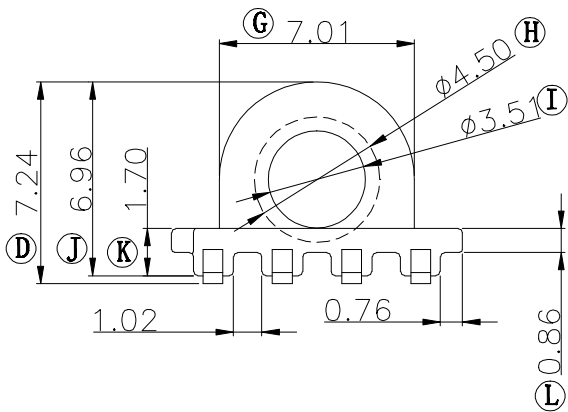
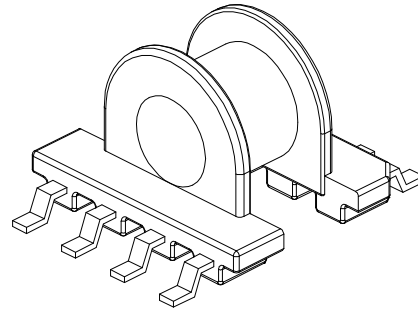
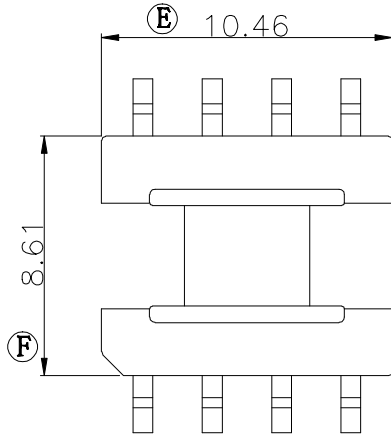


Build up your trust



備注:

- 電鍍要求: 鍍底霧面全錫(鍍底厚 $0.25\mu\text{m} \sim 1.25\mu\text{m}$; 錫層厚: $2.5 \sim 7.5\mu\text{m}$ MIN);

TITLE: EP-7 SMD

DRAWING NO: GS-S704

TOLERANCES

± 0.1

PIN PITCH
 ± 0.2

BOBBIN MATERIAL:
LCP E4008 (BK)

PIN MATERIAL:
PHOSPHOR BRONZE

UL REC.
UL 94V-0

PIN TENSION LOAD:
1.0Kg MIN



建信電子制品有限公司
GEMSTONE ELECTRONIC PRODUCTS CO., LTD.

UNIT:
MM

SCALE:
2/1

ANGLE:
 $\pm 1^\circ$

DATE:
2010/05/28

REV:
A0

ADD: 廣東省東莞市石排鎮石崇大道
TEL: (0769) 86514918, 86514919 FAX: 86514878

DRAWN:
L. W

CHECK:
XU ZHAN

APPROVED:

BEFORE REV.

AFTER REV.