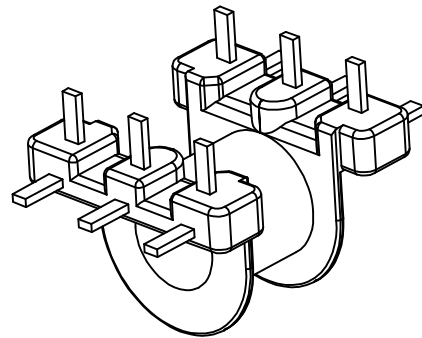
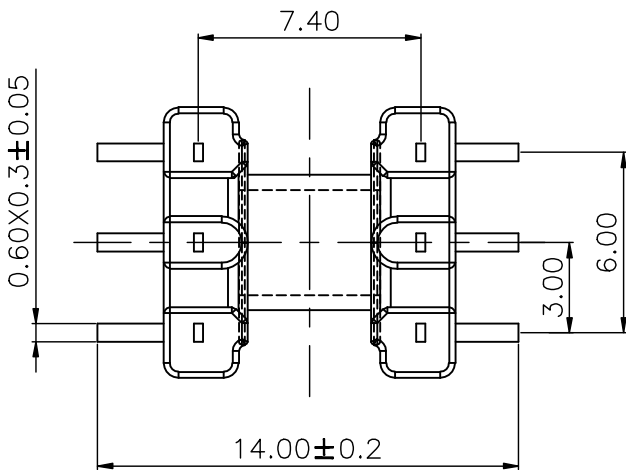
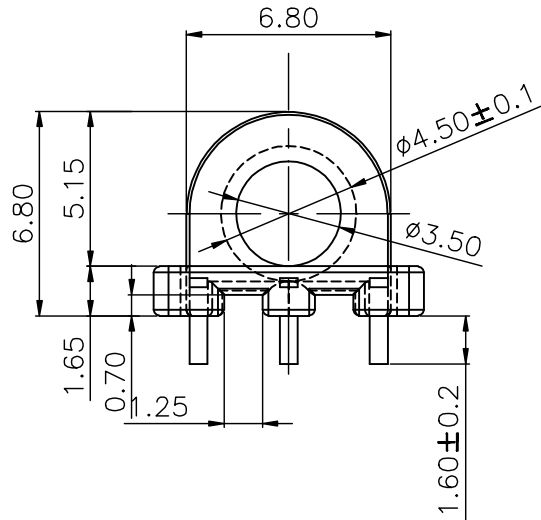
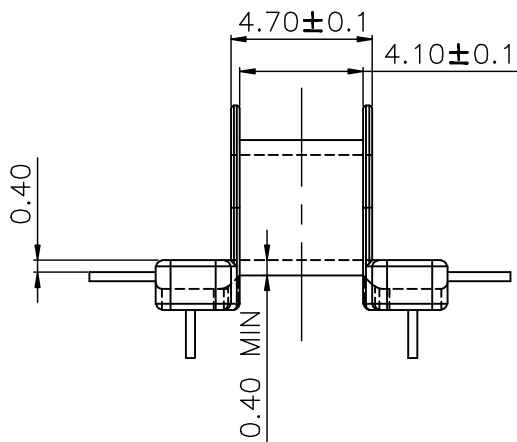
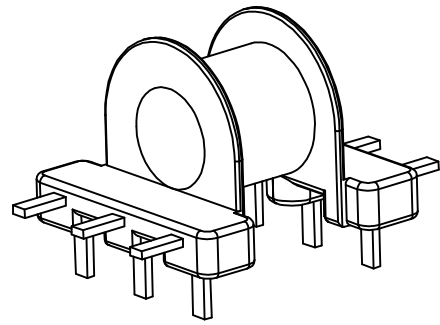
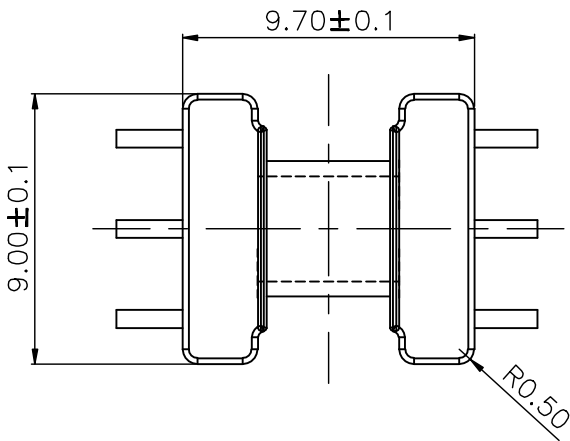


Build up your trust



备注:

- 1:端子平贴度0.10mm MAX;
- 2:端子表面处理:镀锡.

TITLE: BOBBIN EP-7 6PIN		TOLERANCES		BOBBIN MATERIAL: LCP E4008 BK		UL REC. UL 94V-0	
DRAWING NO: GS-S705		0<L≦4 ±0.1	PIN PITCH ±0.2	PIN MATERIAL: C5191 3/4H		PIN TENSION LOAD: 1.5kg MIN	
 <b>建信電子制品有限公司</b> GEMSTONE ELECTRONIC PRODUCTS CO., LTD. ADD: 廣東省東莞市石排鎮石崇大道 TEL: (0769)86514918, 86514919 FAX:86514878		4<L≦16 ±0.20		UNIT: MM	SCALE: 4/1	ANGLE: ±1°	DATE: 2012/08/21
		16<L≦63 ±0.30	DRAWN: XU ZHAN		CHECK: XU ZHAN		APPROVED:

REV.	PORTION.	BEFORE REV.	AFTER REV.