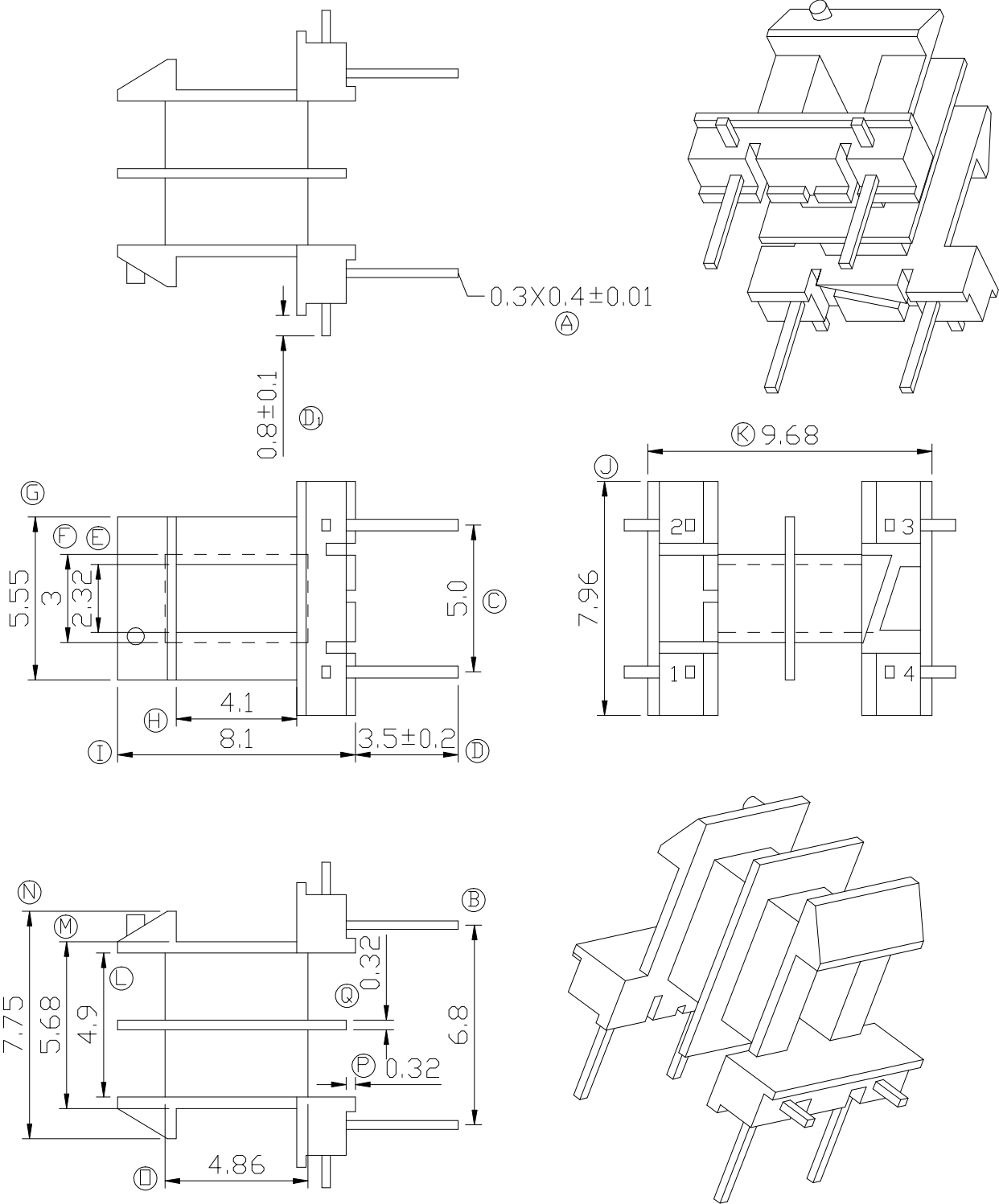


Build up your trust



TITLE: SMD EE-8.3 4PIN

DRAWING NO: GS-S801

TOLERANCES

0<L≤4 ±0.1
4<L≤16 ±0.2
16<L≤63 ±0.3

PIN PITCH
±0.01

BOBBIN MATERIAL:
LCP E4008

UL REC.
UL 94V-0

PIN MATERIAL:
PHOSPHOR BRONZE

PIN TENSION LOAD:
1.2KG MIN

GEMSTONE 建信電子制品有限公司
GEMSTONE ELECTRONIC PRODUCTS CO., LTD.

UNIT:
MM

SCALE:
4/1

ANGLE:
±1°

DATE:
2005/11/12

REV:
A0

ADD: 廣東省東莞市石排鎮石崇大道
TEL: (0769) 86514918, 86514919 FAX: 86514878

DRAWN:
HZ PING

CHECK:
XU ZHAN

APPROVED:

REV.

PORTION.

BEFORE REV.

AFTER REV.