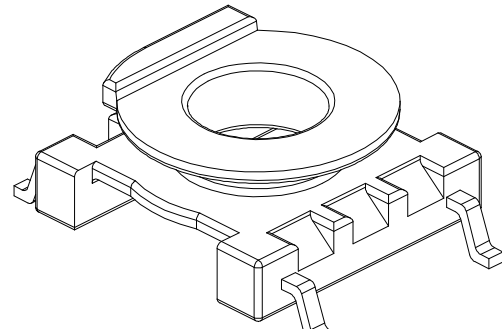
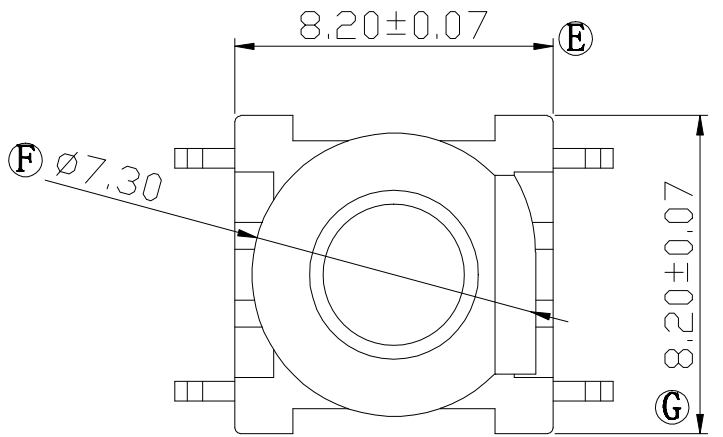
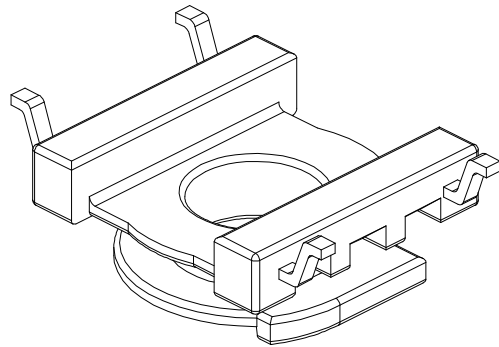
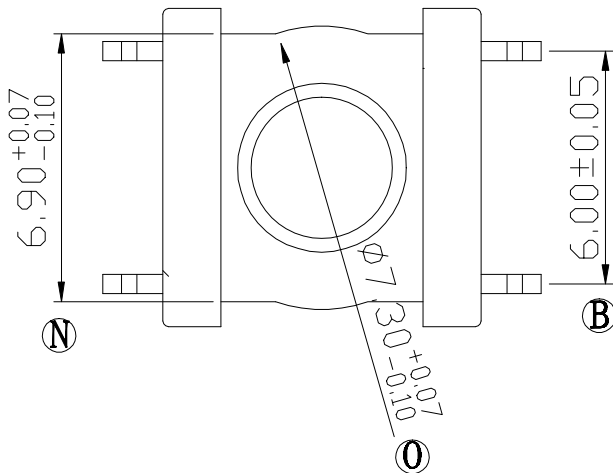
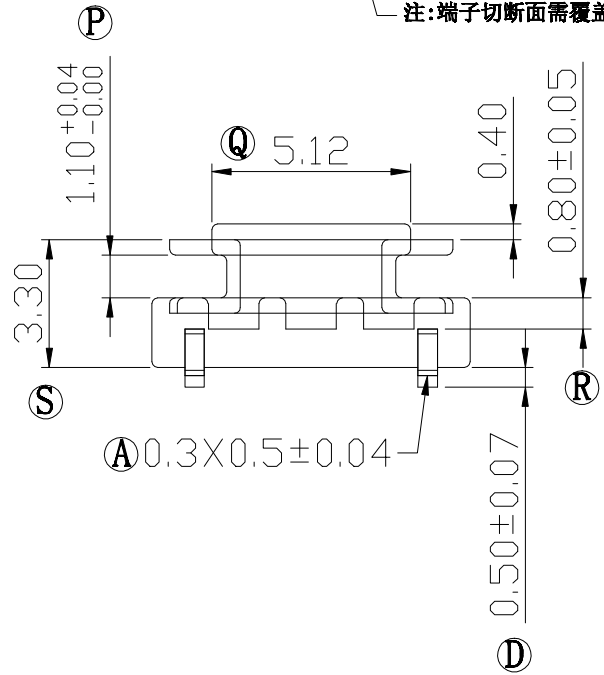
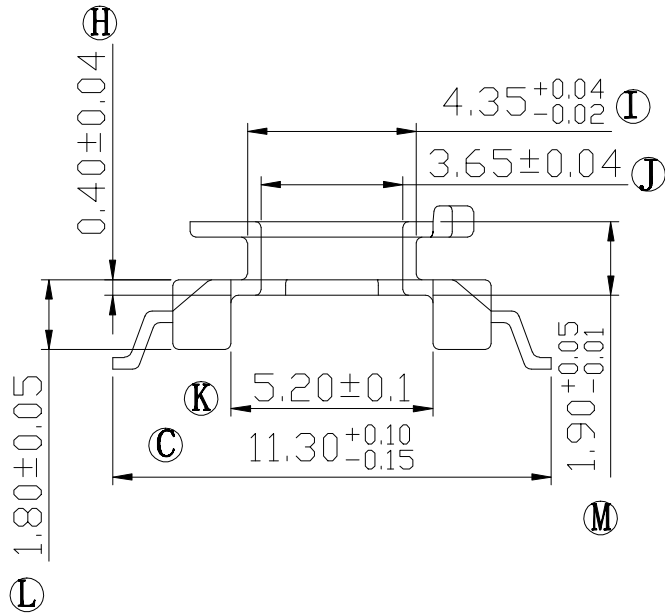



Build up your trust



注:端子切断面需覆盖锡层



TITLE: SMD BOBBIN EER-9.5 4PIN	TOLERANCES		BOBBIN MATERIAL: DAP AM113	UL REC. UL 94 V-0
DRAWING NO: GS-S901-1	0<L≤4 ±0.1	PIN PITCH ±0.2	PIN MATERIAL: PHOSPHOR BRONZE	PIN TENSION LOAD: 1.5kg MIN
	4<L≤16 ±0.2			
	16<L≤63 ±0.3			
 建信電子制品有限公司 GEMSTONE ELECTRONIC PRODUCTS CO., LTD. ADD: 廣東省東莞市石排鎮石崇大道 TEL: (0769) 86514918, 86514919 FAX: 86514878	UNIT: MM	SCALE: 5/1	ANGLE: ±1°	DATE: 2006/09/15
	DRAWN: WRZ		CHECK: XU ZHAN	REV: A0

REV.	PORTION.	BEFORE REV.	AFTER REV.