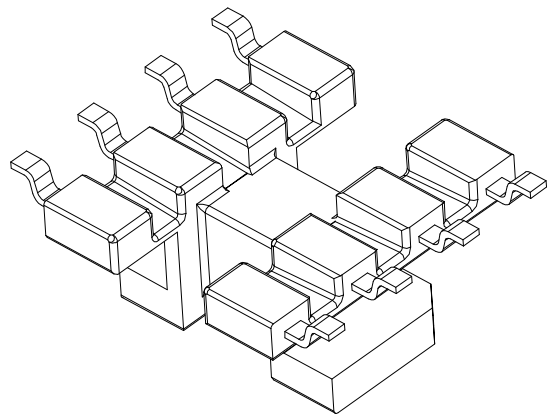
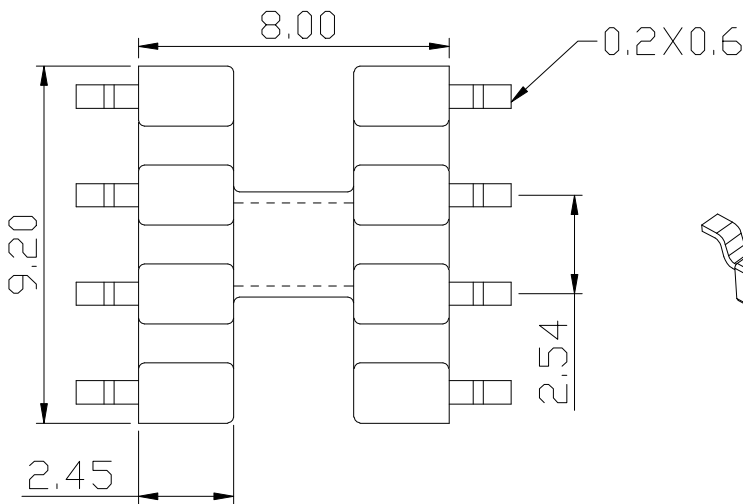
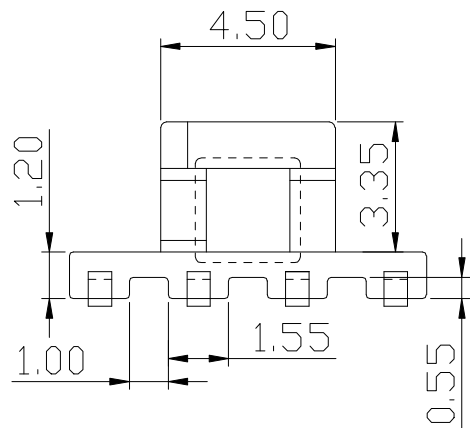
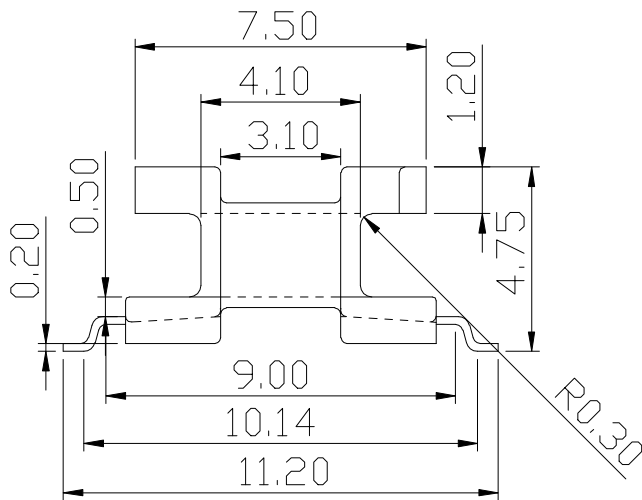
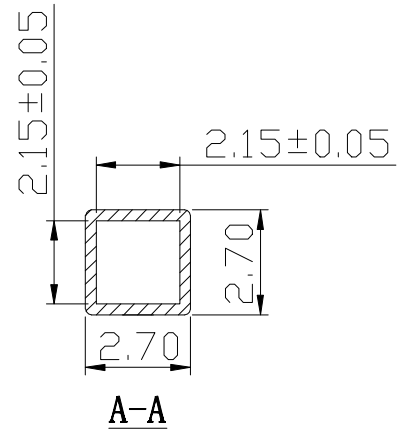
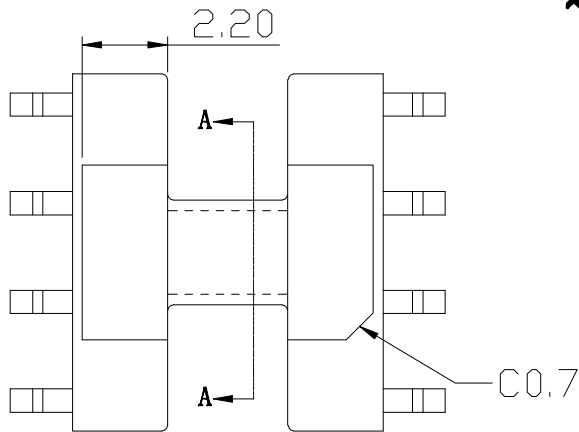



Build up your trust



TITLE: SMD BOBBIN BE8. 9/8	TOLERANCES		BOBBIN MATERIAL: PM9630	UL REC. UL 94 V-0
DRAWING NO: GS-S902	±0.1	PIN PITCH ±0.1	PIN MATERIAL: PHOSPHOR BRONZE	PIN TENSION LOAD: 1.5kg MIN
 建信電子制品有限公司 GEMSTONE ELECTRONIC PRODUCTS CO., LTD. ADD: 廣東省東莞市石排鎮石崇大道 TEL: (0769) 86514918, 86514919 FAX: 86514878	UNIT: MM	SCALE: 5/1	ANGLE: ±1°	DATE: 2007/9/20
	DRAWN: Wang Ren Jun		CHECK: XU ZHAN	REV: A2

REV.	PORTION.	BEFORE REV.	AFTER REV.