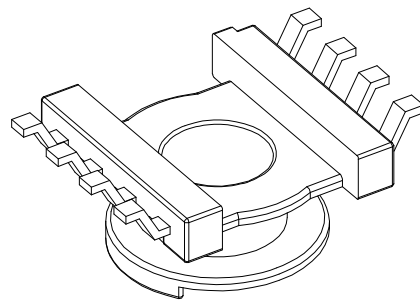
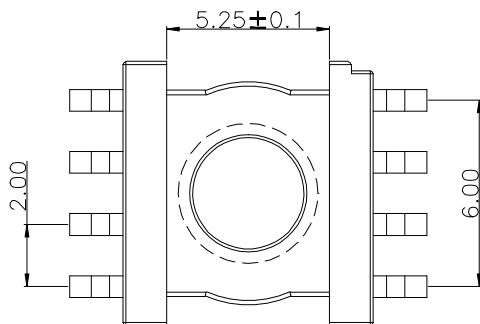
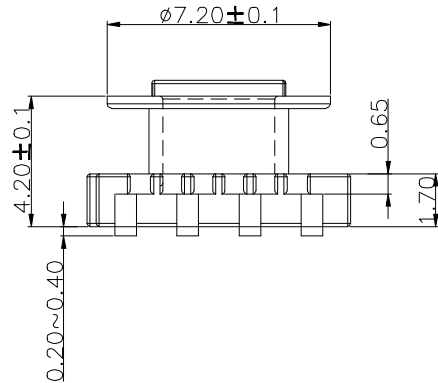
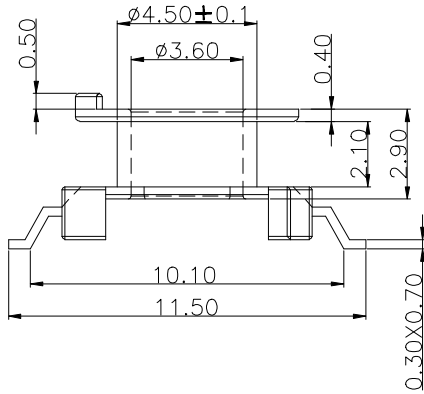
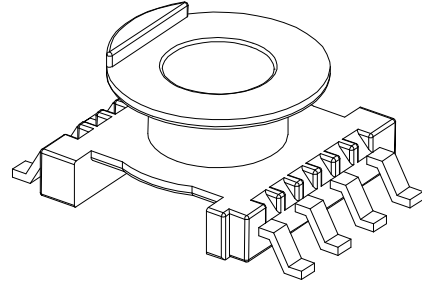
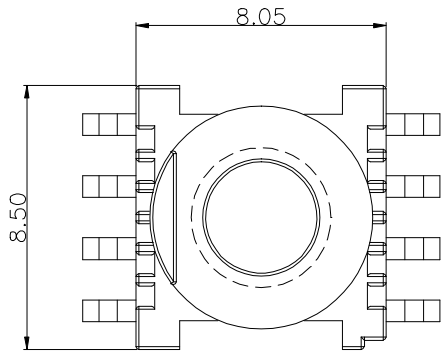



Build up your trust



TITLE: SMD BOBBIN ER9.5 8PIN		TOLERANCES		BOBBIN MATERIAL: PM9630		UL REC. UL 94V-0	
DRAWING NO: GS-S903		0<L≤4 ±0.10	PIN PITCH ±0.1	PIN MATERIAL: C5191		PIN TENSION LOAD: 1.0kg MIN	
		4<L≤16 ±0.20					
		16<L≤63 ±0.30					
 建信電子制品有限公司 GEMSTONE ELECTRONIC PRODUCTS CO., LTD. ADD: 廣東省東莞市石排鎮石崇大道 TEL: (0769)86514918, 86514919 FAX: 86514878		UNIT: MM	SCALE: 5/1	ANGLE: ±1°	DATE: 2012/2/8	REV: A0	
		DRAWN: XU ZHAN		CHECK: XU ZHAN		APPROVED:	

REV.	PORTION.	BEFORE REV.	AFTER REV.