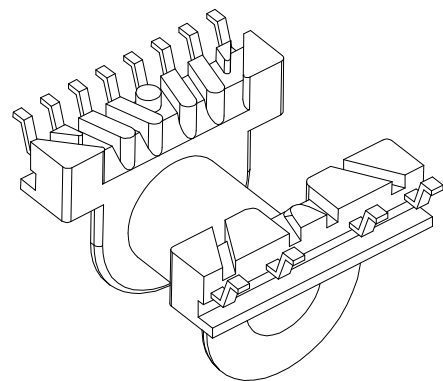
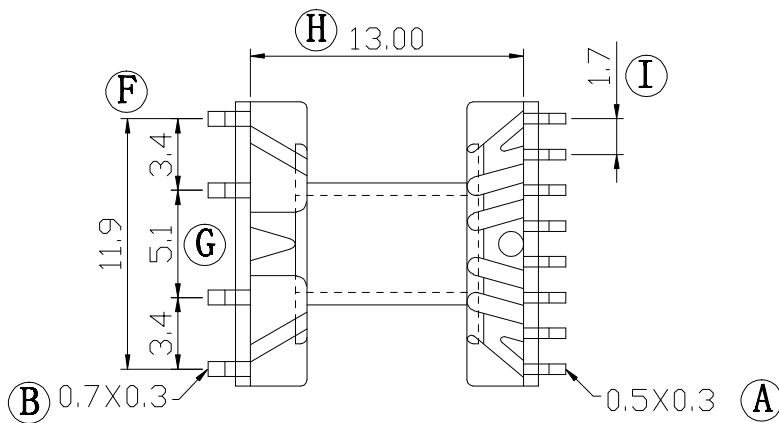
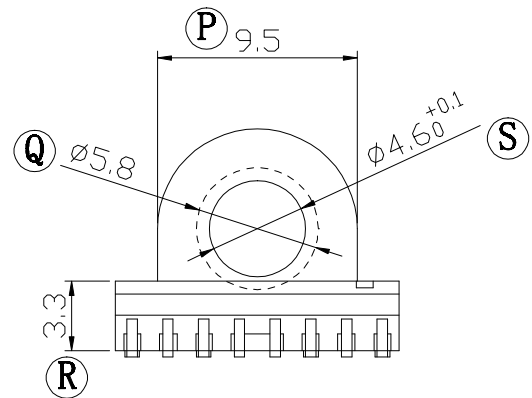
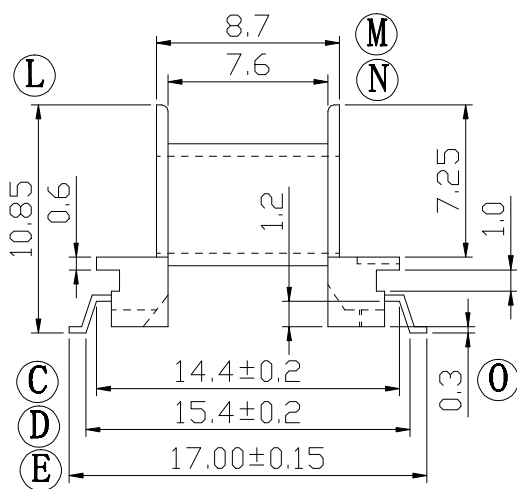
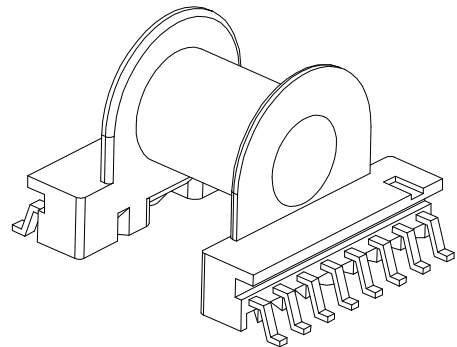
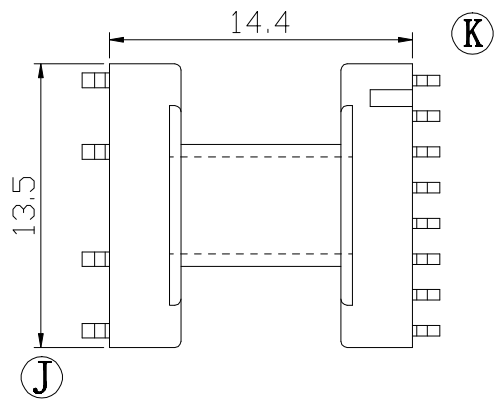



Build up your trust



备注: 无凸点

TITLE: SMD BOBBIN EP-13 (12PIN)	TOLERANCES		BOBBIN MATERIAL: LCP E4008	UL REC. UL 94V-0
DRAWING NO: GS-S1301	0<L≤4 ±0.1	PIN PITCH ±0.2	PIN MATERIAL: PHLSPHOR BRONZE	PIN TENSION LOAD: 1.5KG MIN
	4<L≤16 ±0.2			
	16<L≤63 ±0.3			
 建信電子制品有限公司 GEMSTONE ELECTRONIC PRODUCTS CO., LTD. ADD: 廣東省東莞市石排鎮石崇大道 TEL: (0769) 86514918, 86514919 FAX: 86514878	UNIT: MM	SCALE: 3/1	ANGLE: ±1°	DATE: 2010/03/19
	DRAWN: L. W		CHECK: XU ZHAN	REV: A1

REV.	PORTION.	BEFORE REV.	AFTER REV.