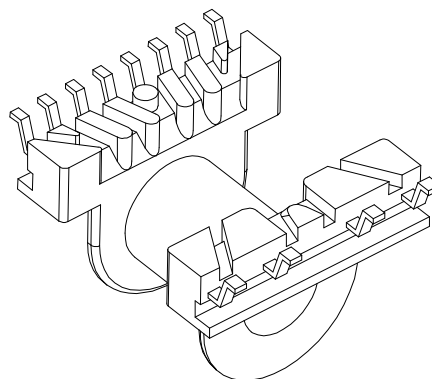
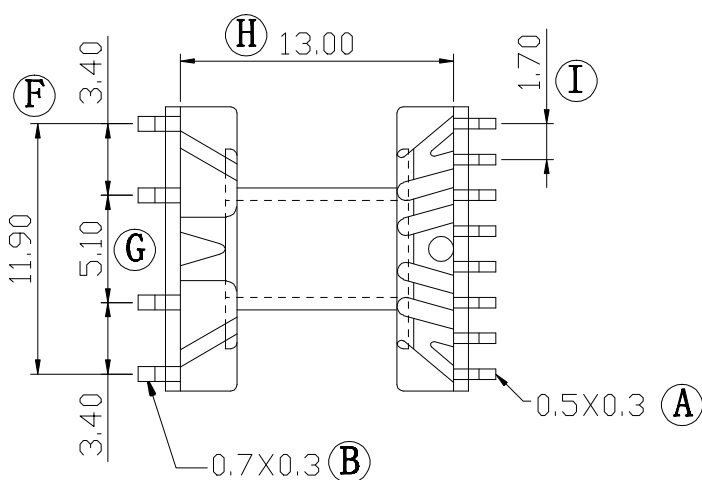
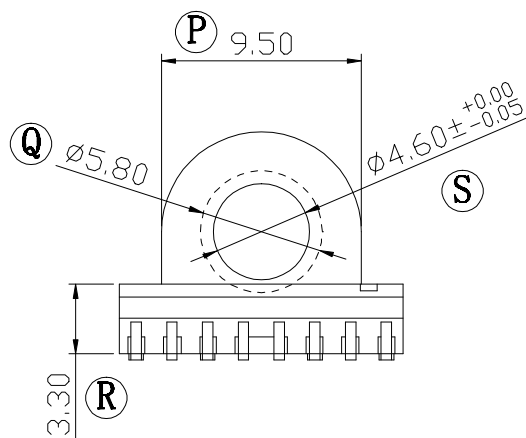
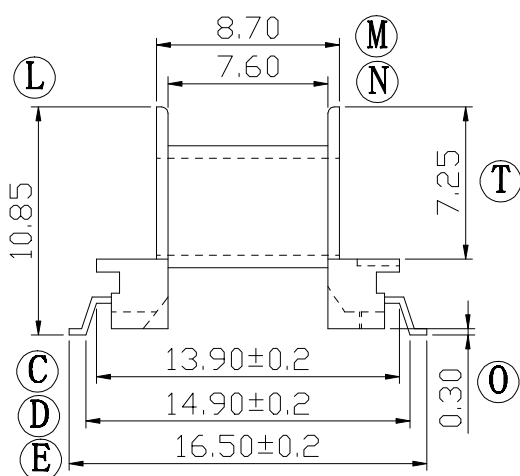
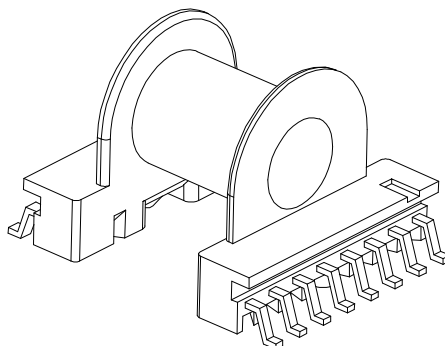
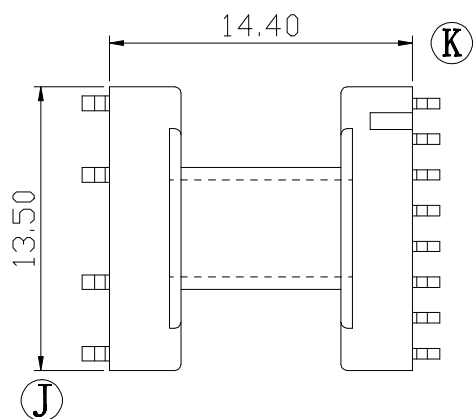


Build up your trust



备注: 无凸点

TITLE: SMD BOBBIN EP-13 (12PIN)

DRAWING NO: GS-S1301-2

GEMSTONE 建信电子制品有限公司
GEMSTONE ELECTRONIC PRODUCTS CO., LTD.

ADD: 广东省东莞市石排镇石崇大道
TEL: (0769) 86514918, 86514919 FAX: 86514878

TOLERANCES

0<L≤4	±0.1	PIN PITCH ±0.2
4<L≤16	±0.2	
16<L≤63	±0.3	

UNIT: MM

SCALE: 3/1

DRAWN: XU ZHAN

BOBBIN MATERIAL:
LCP E4008

PIN MATERIAL:
PHLSPHOR BRONZE

ANGLE: ±1°

CHECK: XU ZHAN

UL REC.
UL 94V-0

PIN TENSION LOAD:
1.5KG MIN

REV: A0

APPROVED:

REV.

PORTION.

BEFORE REV.

AFTER REV.