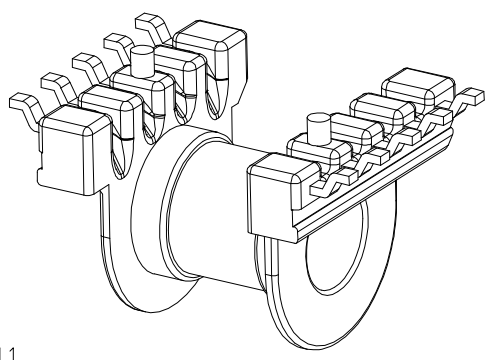
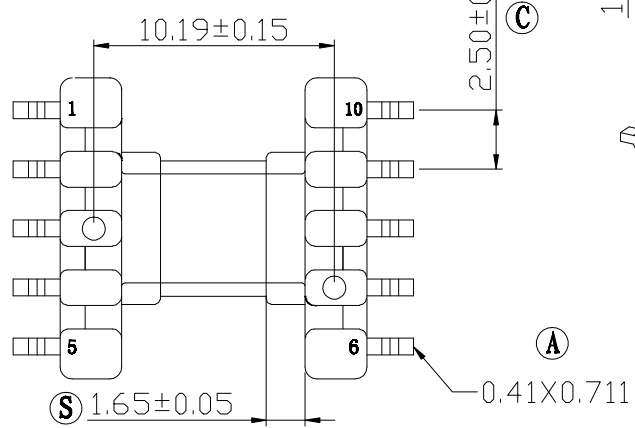
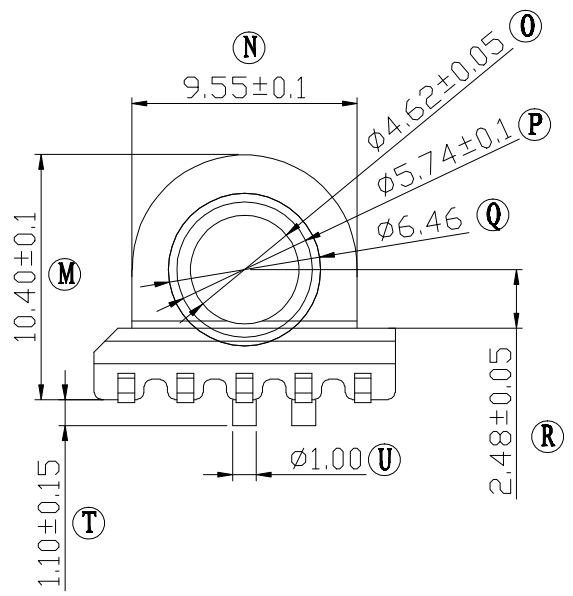
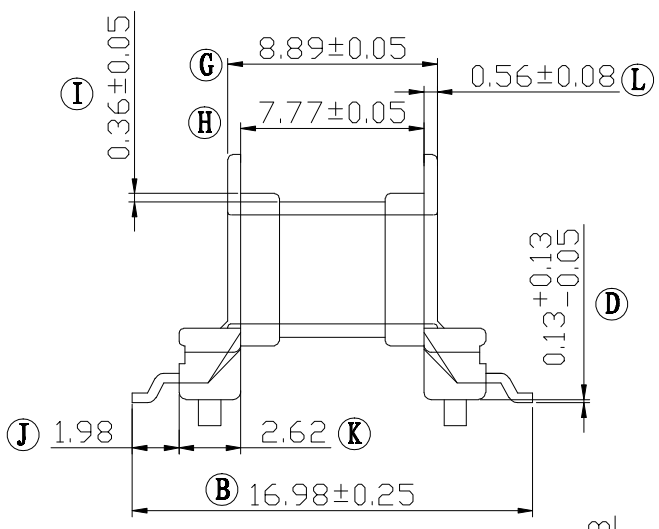
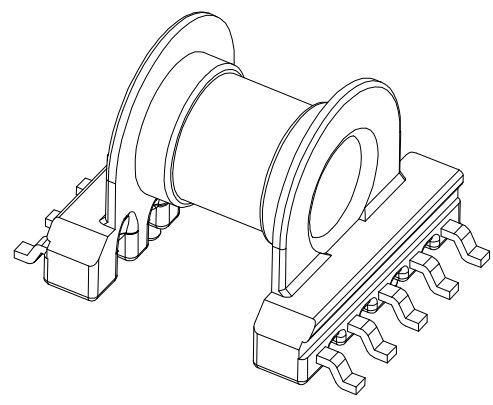
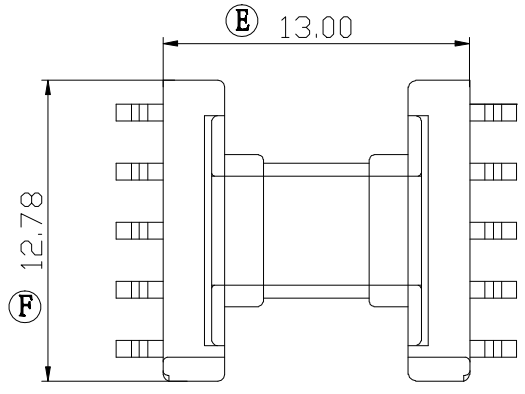



Build up your trust



|  |  |             |                   |                                  |                  |                                |  |
|--|--|-------------|-------------------|----------------------------------|------------------|--------------------------------|--|
| TITLE: SMD BOBBIN EP-13 10PIN  |  | TOLERANCES  |                   | BOBBIN MATERIAL:<br>DAP AM113    |                  | UL REC.<br>UL 94 V-0           |  |
| DRAWING NO: GS-S1302-1   |  | 0<L≤4 ±0.1  | PIN PITCH<br>±0.2 | PIN MATERIAL:<br>PHOSPHOR BRONZE |                  | PIN TENSION LOAD:<br>1.5kg MIN |  |
|  |  | 4<L≤16 ±0.2 |                   |                                  |                  |                                |  |
|  <b>建信電子制品有限公司</b><br>GEMSTONE ELECTRONIC PRODUCTS CO., LTD.<br>ADD: 廣東省東莞市石排鎮石崇大道<br>TEL: (0769) 86514918, 86514919 FAX: 86514878 |  | UNIT: MM    | SCALE: 4/1        | ANGLE: ±1°                       | DATE: 2006/10/10 | REV: A1                        |  |
|  |  | DRAWN: HZP  |                   | CHECK: XU ZHAN                   |                  | APPROVED:                      |  |

|      |          |             |            |
|------|----------|-------------|------------|
| REV. | PORTION. | BEFORE REV. | AFTER REV. |
|      |          |             |            |
|      |          |             |            |