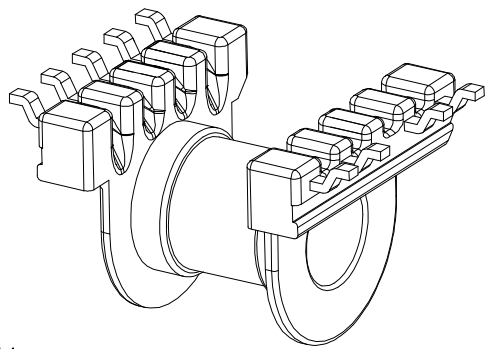
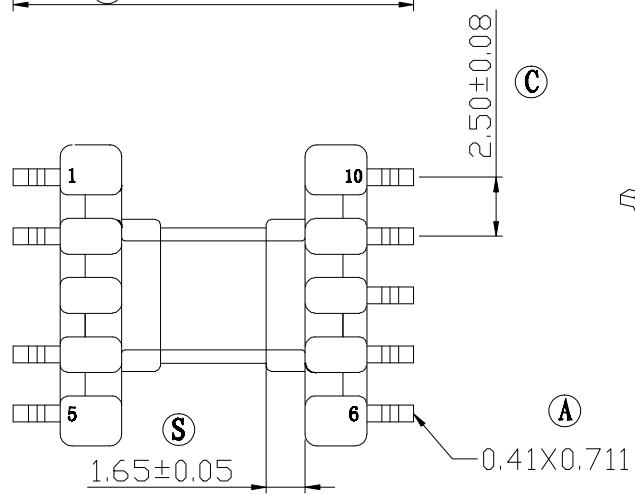
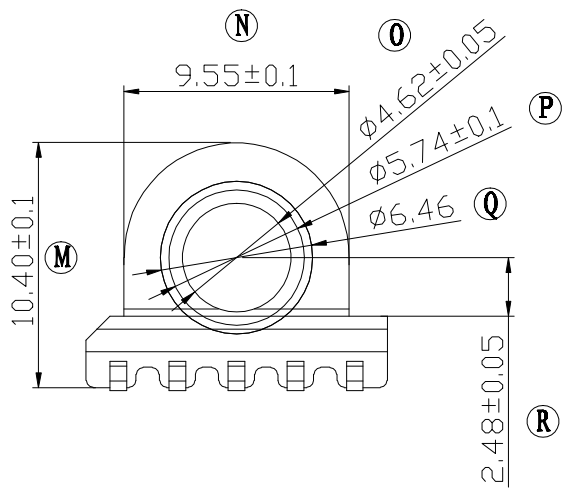
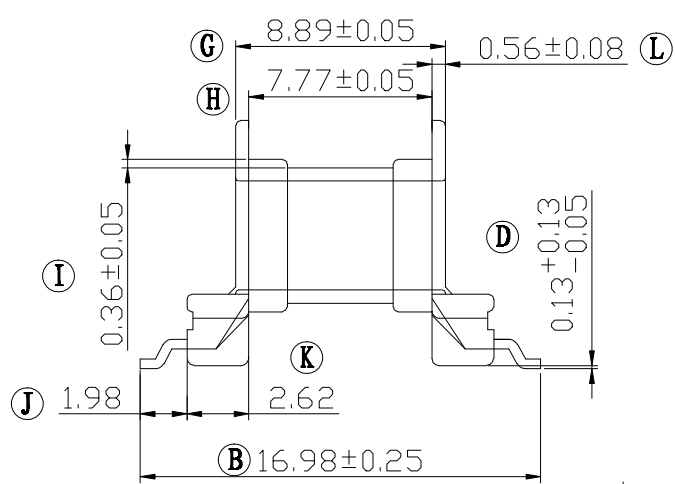
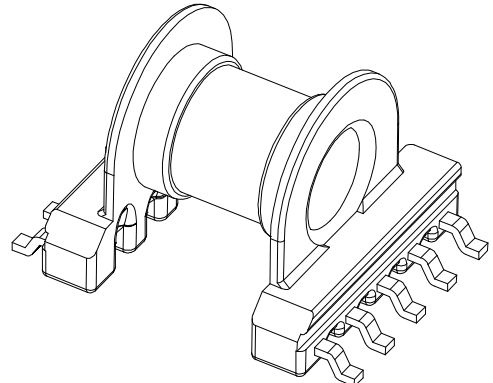
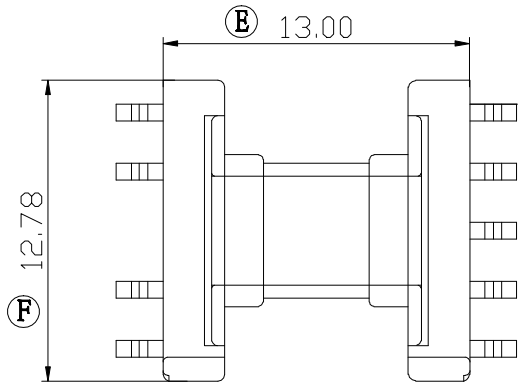



Build up your trust



TITLE: SMD BOBBIN EP-13 10PIN		TOLERANCES		BOBBIN MATERIAL: DAP AM113		UL REC. UL 94 V-0	
DRAWING NO: GS-S1302-2		0<L≤4 ±0.1 4<L≤16 ±0.2 16<L≤63 ±0.3		PIN PITCH ±0.2		PIN MATERIAL: PHOSPHOR BRONZE	
 建信電子制品有限公司 GEMSTONE ELECTRONIC PRODUCTS CO., LTD. ADD: 廣東省東莞市石排鎮石崇大道 TEL: (0769) 86514918, 86514919 FAX: 86514878		UNIT: MM		SCALE: 4/1		ANGLE: ±1°	
		DATE: 2007/1/3		REV: A0			
DRAWN: HZP		CHECK: XU ZHAN		APPROVED:			

REV.	PORTION.	BEFORE REV.	AFTER REV.