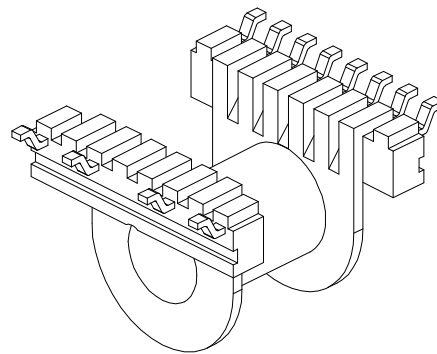
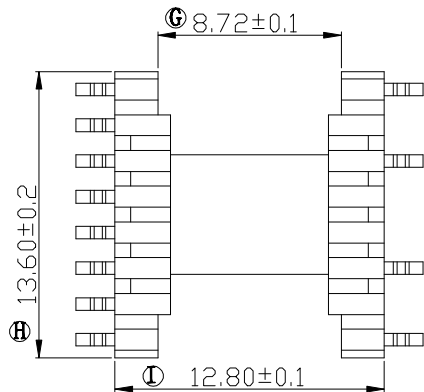
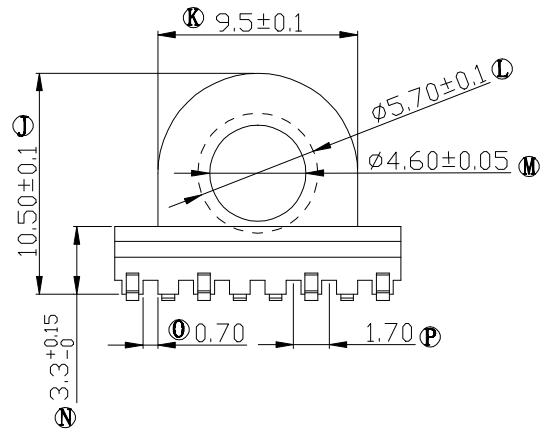
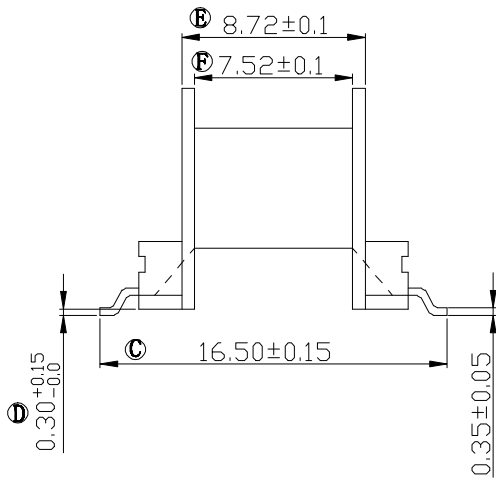
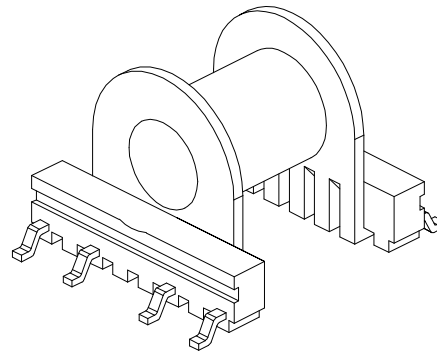
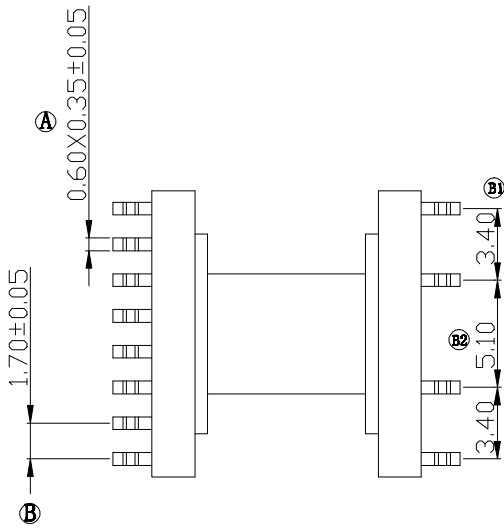


Build up your trust



TITLE: SMD BOBBIN EP-138+4PIN
 DRAWING NO: BB-EP-13-13 (GS-S1304-1)

TOLERANCES
 0<L≤5 ±0.1
 5<L≤20 ±0.15
 PIN PITCH ±0.2

BOBBIN MATERIAL: PM9630
 PIN MATERIAL: C5191 3/4H

UL REC. UL 94V-0
 PIN TENSION LOAD: 1.5KG MIN

GEMSTONE 建信電子制品有限公司
 GEMSTONE ELECTRONIC PRODUCTS CO., LTD.

UNIT: MM

SCALE: 2/1

ANGLE: ±1°

DATE: 2009/11/21

REV: A1

DRAWN: L. W

CHECK: XU ZHAN

APPROVED:

ADD: 廣東省東莞市石排鎮石崇大道
 TEL: (0769) 86514918, 86514919 FAX: 86514878

REV.	PORTION.	BEFORE REV.	AFTER REV.