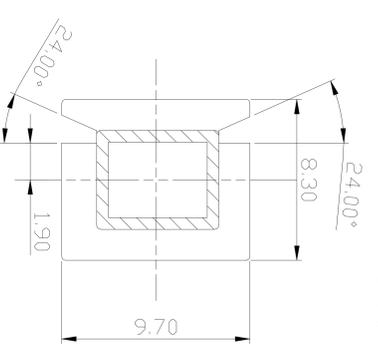
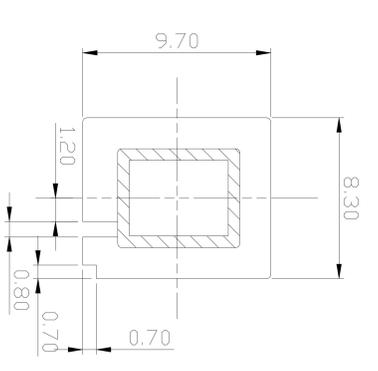


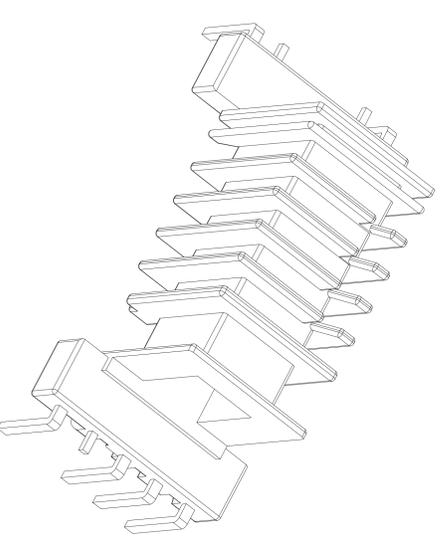
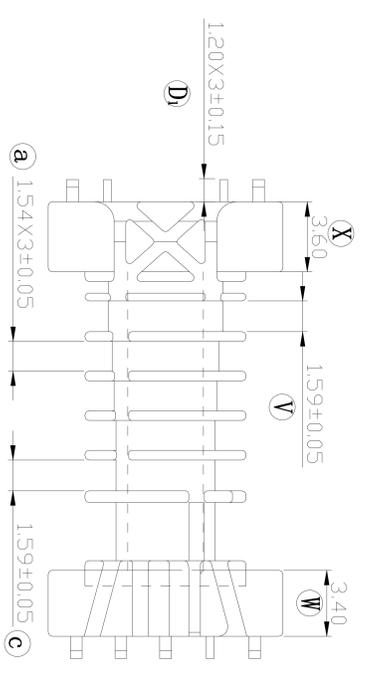
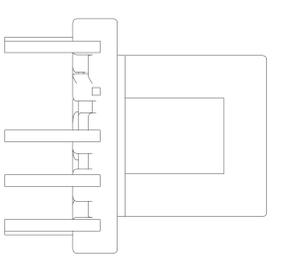
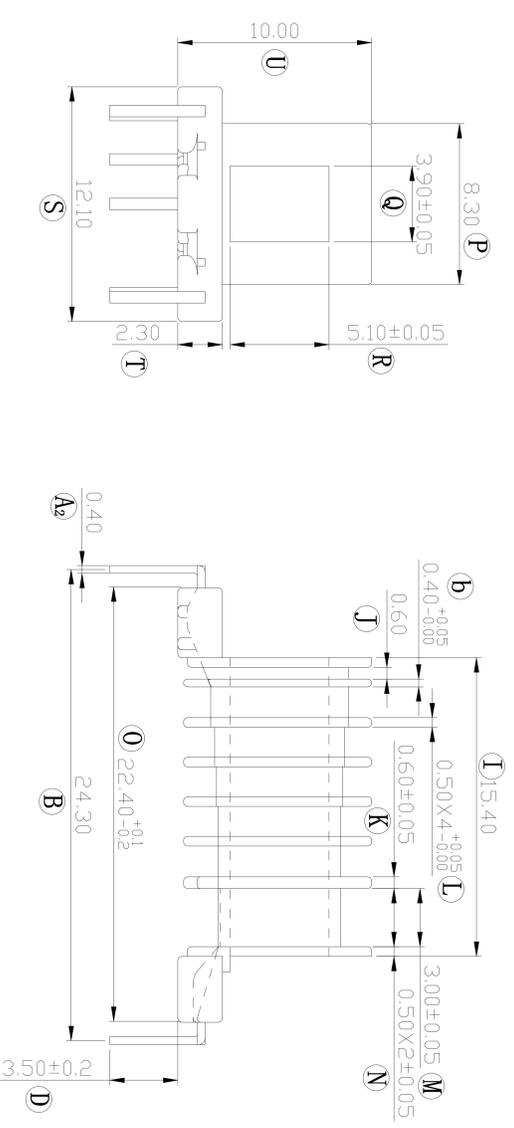
A-A 葉片:1



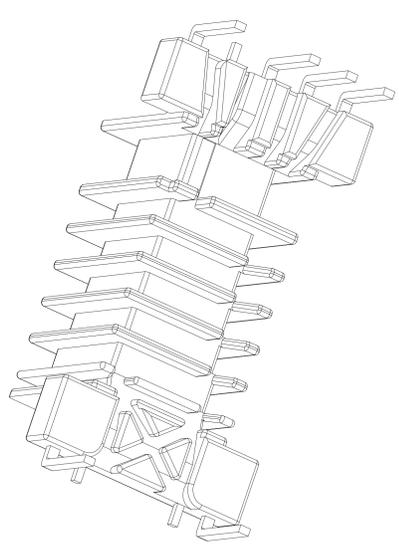
B-B 葉片:2.3.4.5



C-C 葉片:6



| | | | | | | | |
|--|--|---------------------|------------|---------------------------------|------------------|-----------------------------|--|
| TITLE: SMD EFL-13 | | TOLERANCES: ±0.1 MM | | BOBBIN MATERIAL: LCP E4008 (BK) | | UL REC: UL 94V-0 | |
| DRAWING NO: GS-S1305 | | PIN PITCH: ±0.1 | | PIN MATERIAL: PHOSPHOR BRONZE | | PIN TENSION LOAD: 1.5kg MIN | |
| GEMSTONE 建信電子制品有限公司 GEMSTONE ELECTRONIC PRODUCTS CO., LTD. | | UNIT: MM | SCALE: 2/1 | ANGLE: ±1° | DATE: 2007/01/07 | REV: A4 | |
| ADD: 廣東省東莞市石排鎮石崇大道 TEL: (0769) 86514918, 86514919 FAX: 86514878 | | DRAWN: Wang Ren Jun | | CHECK: XU ZHAN | | APPROVED: | |



| | | | |
|------|----------|-------------|------------|
| REV. | PORTION. | BEFORE REV. | AFTER REV. |
| | | | |
| | | | |