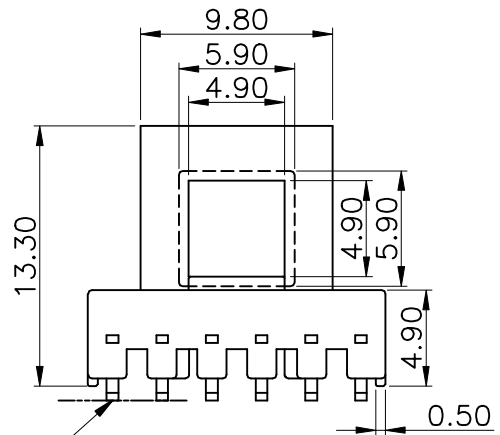
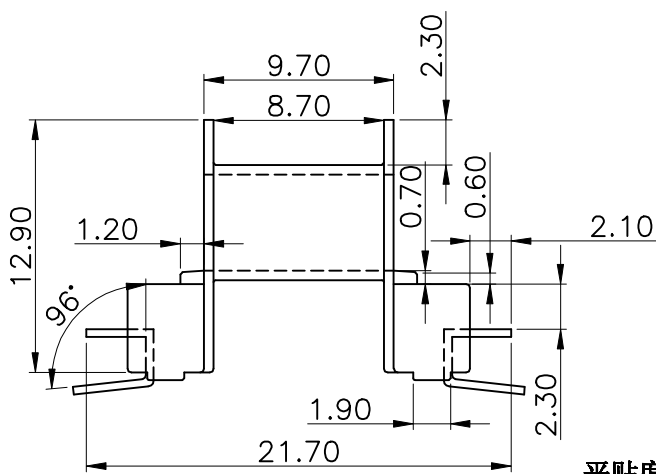
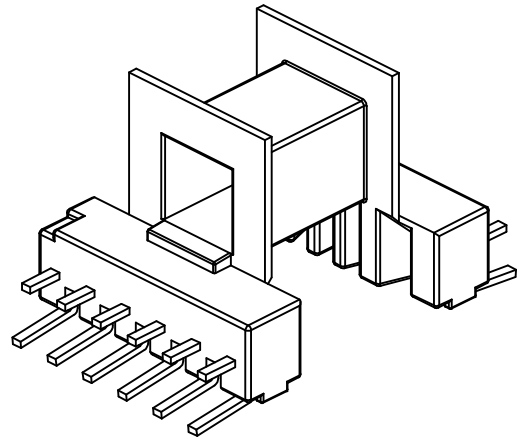
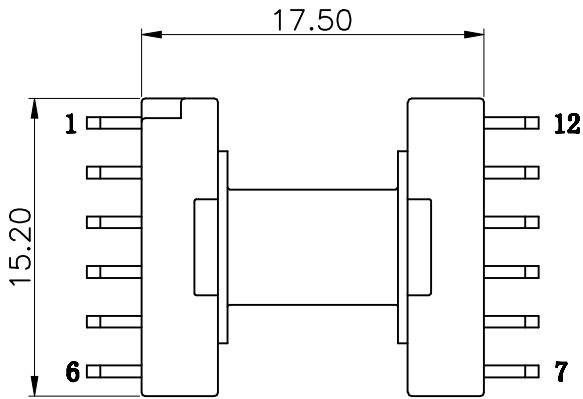
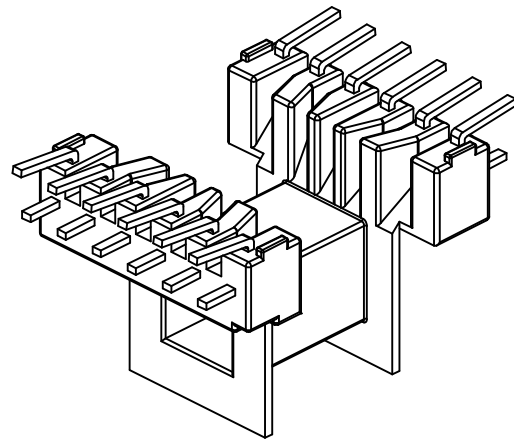
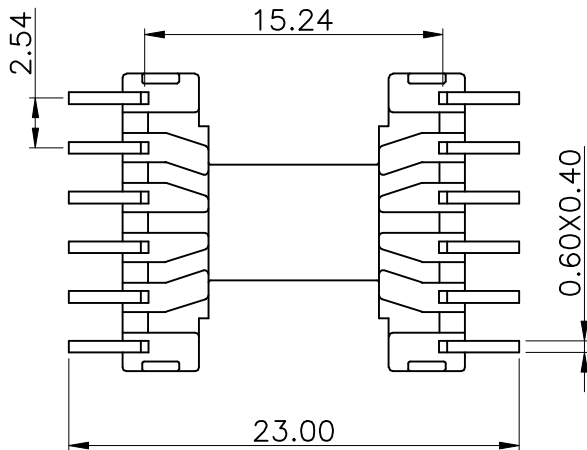


Build up your trust



平贴度: 0.10mm MAX



注: 客户要求: PIN 10 NO.

TITLE: SMD BOBBIN EF-16 12PIN

DRAWING NO: GS-S1601

TOLERANCES

0<L≤4 ±0.1
4<L≤16 ±0.2
16<L≤63 ±0.3

PIN PITCH
±0.2

BOBBIN MATERIAL:
LCP E4008

PIN MATERIAL:
PHOSPHOR BRONZE

UL REC.
UL 94V-0

PIN TENSION LOAD:
1.0Kg MIN



建信电子制品有限公司

GEMSTONE ELECTRONIC PRODUCTS CO., LTD.

ADD: 广东省东莞市石排镇石崇大道

TEL: (0769) 86514918, 86514919 FAX: 86514878

UNIT:
MM

SCALE:
2/1

ANGLE:
±1°

DATE:
2010/04/27

REV:
A0

DRAWN:
XU ZHAN

CHECK:
XU ZHAN

APPROVED:

BEFORE REV.

AFTER REV.