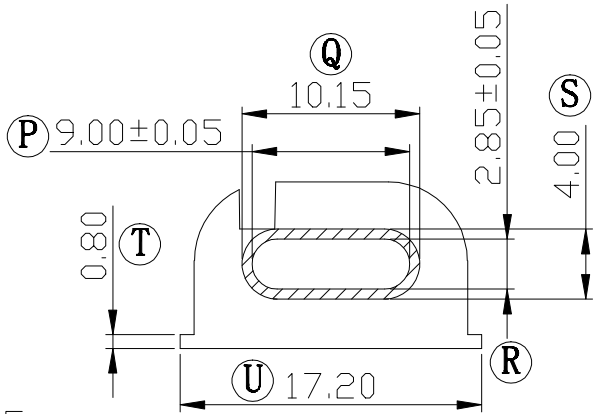
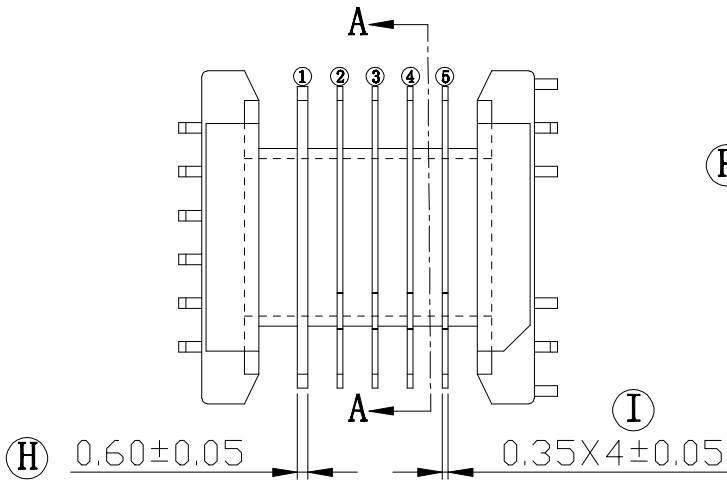
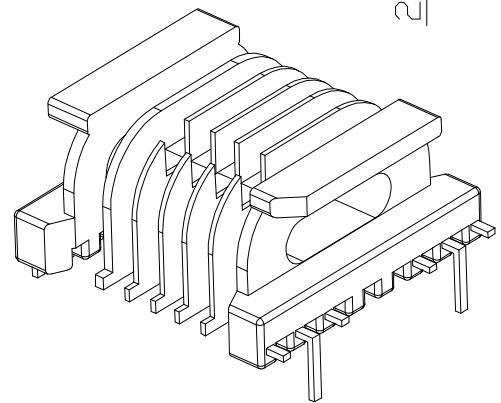
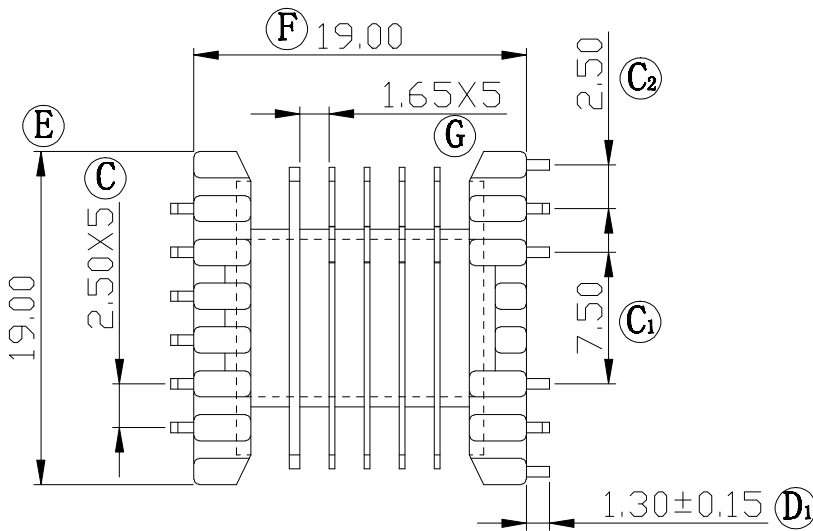
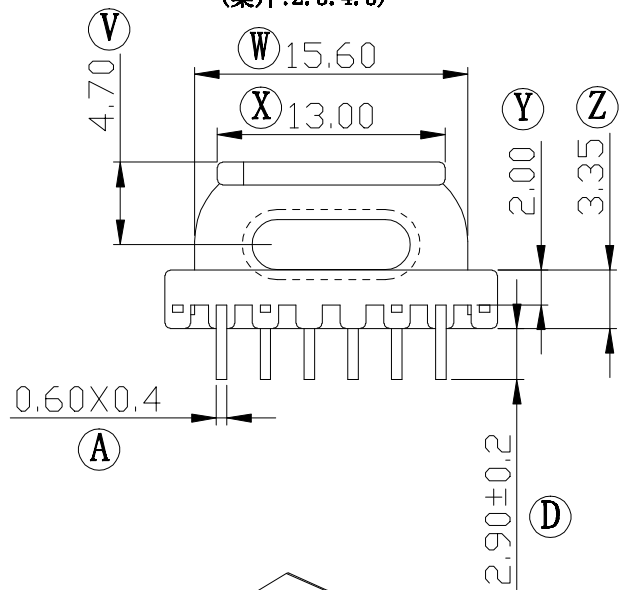
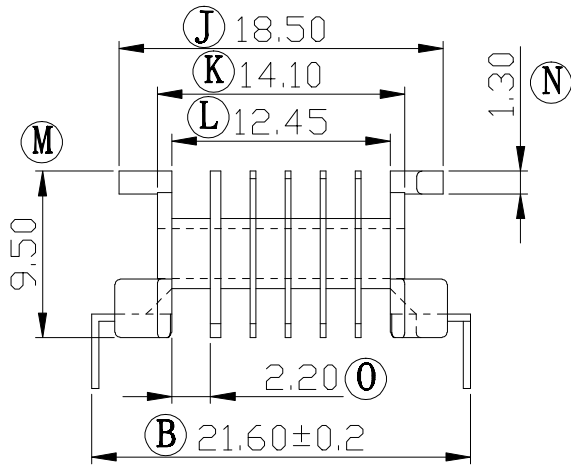



Build up your trust



SEC. A-A
(葉片: 2. 3. 4. 5)



TITLE: SMD EPC-19(6 SEC)	TOLERANCES		BOBBIN MATERIAL:	UL REC.
DRAWING NO: GS-S1901-2	± 0.1 MM	PIN PITCH ± 0.1	LCP E4008	UL 94V-0
 建信電子制品有限公司 GEMSTONE ELECTRONIC PRODUCTS CO., LTD. ADD: 廣東省東莞市石排鎮石崇大道 TEL: (0769) 86514918, 86514919 FAX: 86514878	UNIT: MM	SCALE: 2.5/1	PIN MATERIAL:	PIN TENSION LOAD:
			PHOSPHOR BRONZE	1.5KG MIN
	DRAWN: HZ PING	ANGLE: $\pm 1^\circ$	DATE: 2005/12/10	REV: A0
		CHECK: XU ZHAN		

REV.	PORTION.	BEFORE REV.	AFTER REV.