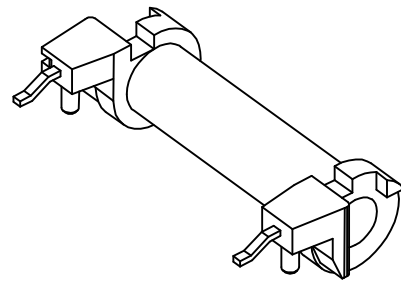
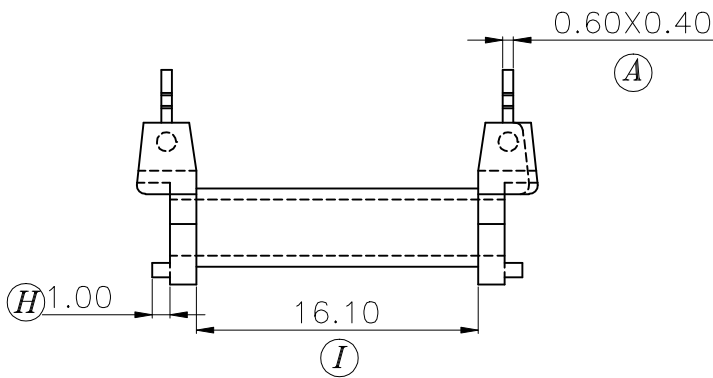
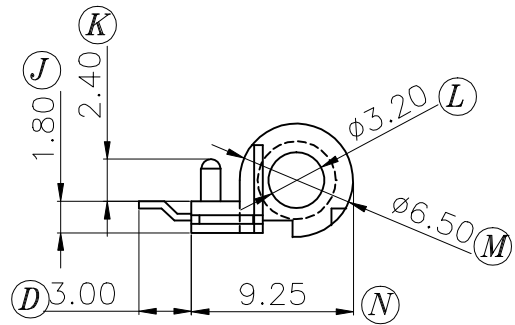
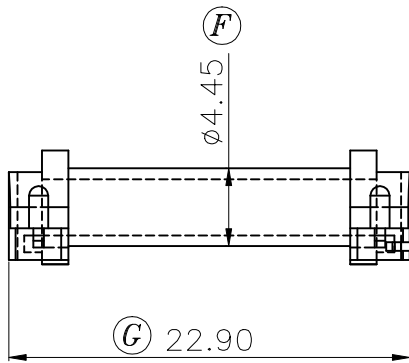
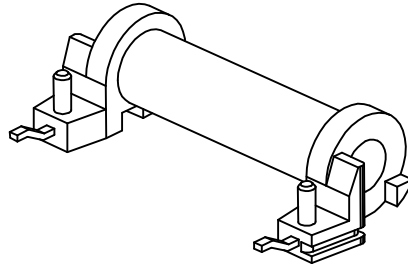
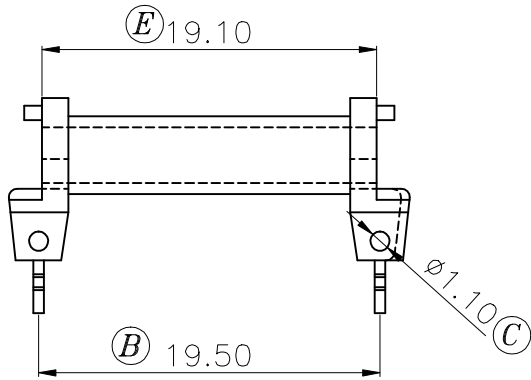


Build up your trust



| | | | | | | | |
|---|------------|--------------|----------------|---------------------------------------|-----------|-----------------------------|--|
| TITLE: SMD BOBBIN 2PIN | | TOLERANCES | | BOBBIN MATERIAL: PA6T/66 HTNFR52G30NH | | UL REC: 94V-0 | |
| DRAWING NO: GS-S2000 (070-5411) | | ±0.13 | PIN PITCH ±0.1 | PIN MATERIAL: PHOSPHOR BRONZE | | PIN TENSION LOAD: 1.5KG MIN | |
| 建信電子制品有限公司 GEMSTONE ELECTRONIC PRODUCTS CO., LTD. ADD: 廣東省東莞市石排鎮石崇大道 TEL: (0769)86514918, 86514919 FAX:86514878 | UNIT: MM | SCALE: 2.5/1 | ANGLE: ±1° | DATE: 2008/06/10 | REV: A0 | | |
| | DRAWN: YLH | | CHECK: XU ZHAN | | APPROVED: | | |

| REV. | PORTION. | BEFORE REV. | AFTER REV. |
|------|----------|-------------|------------|
| | | | |
| | | | |
| | | | |