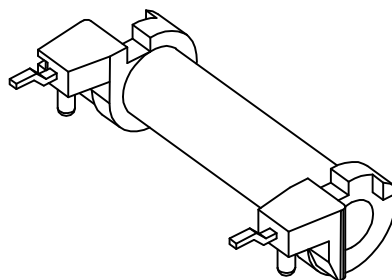
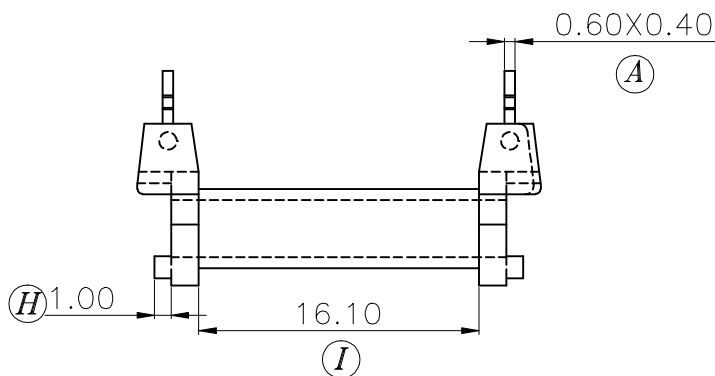
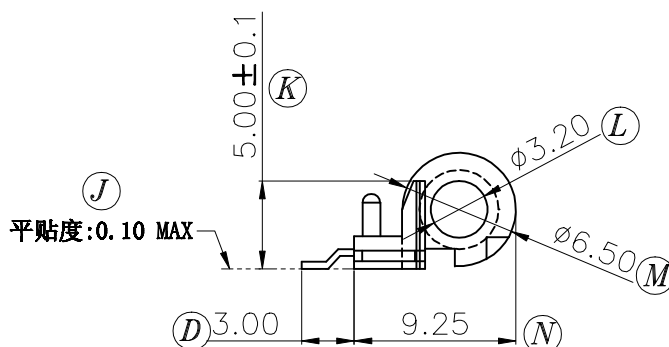
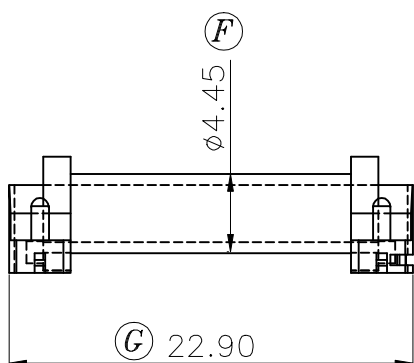
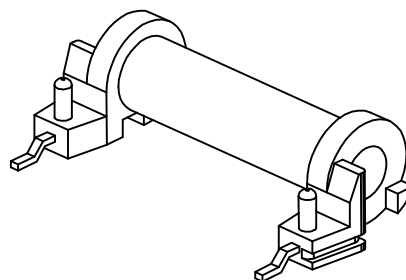
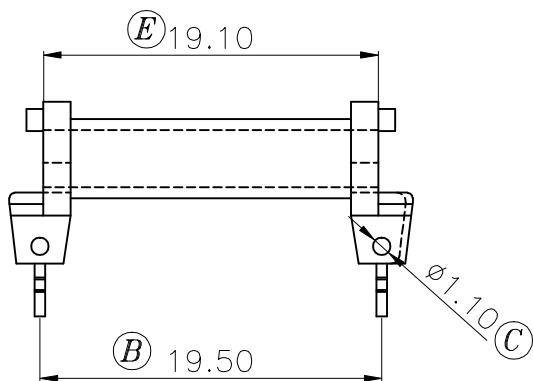


Build up your trust



TITLE: SMD BOBBIN 2PIN		TOLERANCES		BOBBIN MATERIAL: PA6T/66 HTNFR52G30NH		UL REC. 94V-0	
DRAWING NO: GS-S2000-1 (070-5689)		± 0.13		PIN PITCH ± 0.1		PIN TENSION LOAD: 1.5KG MIN	
建信電子制品有限公司 GEMSTONE ELECTRONIC PRODUCTS CO., LTD. ADD: 廣東省東莞市石排鎮石崇大道 TEL: (0769)86514918, 86514919 FAX:86514878		UNIT: MM	SCALE: 2.5/1	ANGLE: $\pm 1^\circ$	DATE: 2011/03/18	REV: A0	
		DRAWN: XU ZHAN		CHECK: XU ZHAN		APPROVED:	

REV.	PORTION.	BEFORE REV.	AFTER REV.