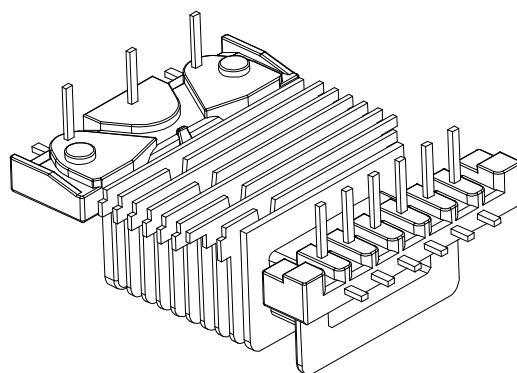
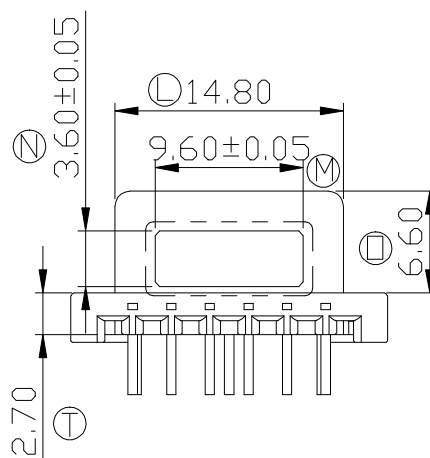
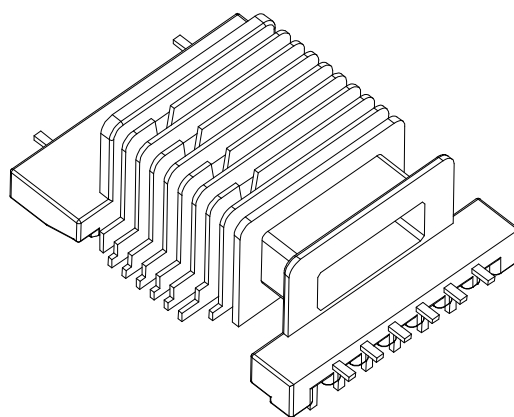
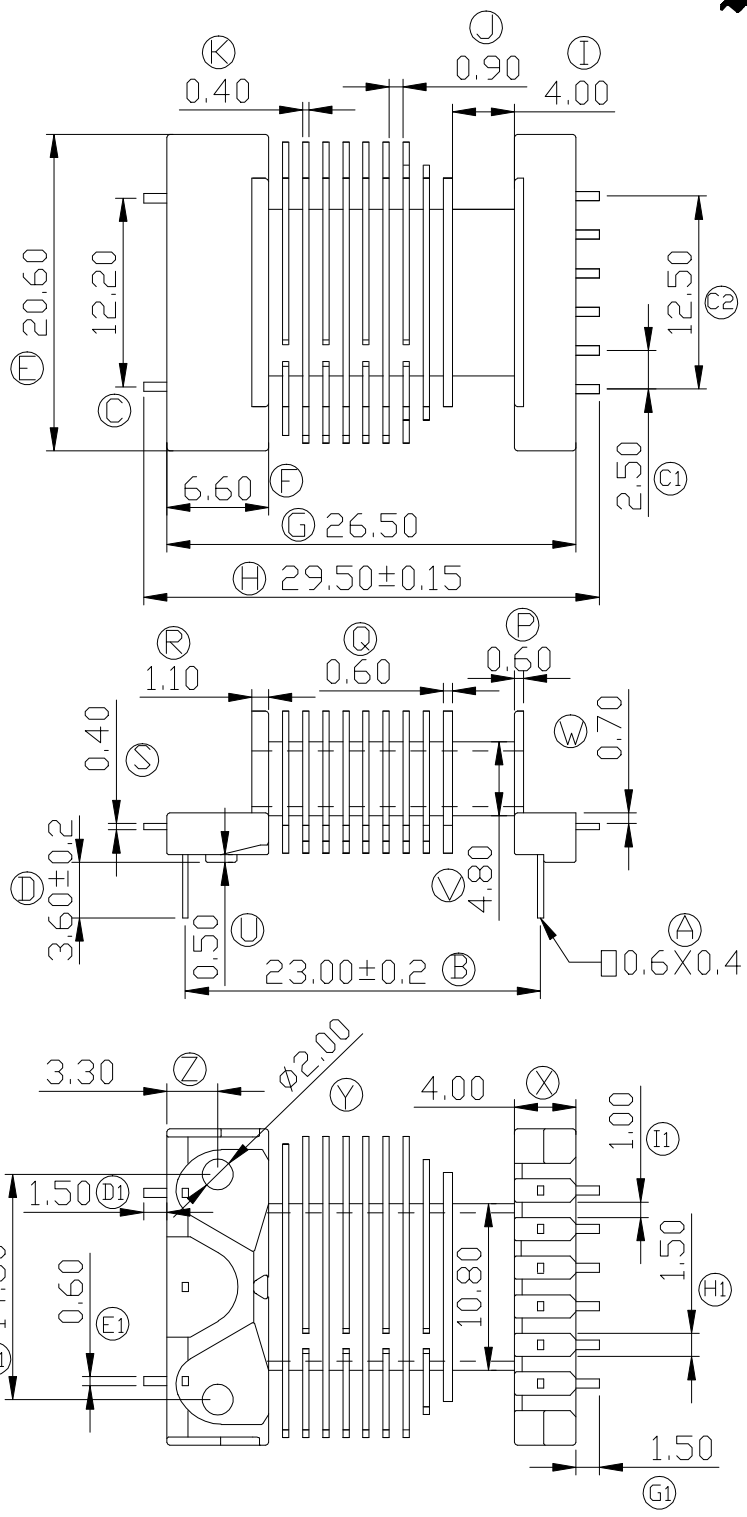



Build up your trust



TITLE:	SMD EFD-2124B		TOLERANCES		BOBBIN MATERIAL:		UL REC.
DRAWING NO:	GS-S2100		±0.10	PIN PITCH ±0.1	L. C. P E4008		UL 94V-0
 建信電子制品有限公司 GEMSTONE ELECTRONIC PRODUCTS CO., LTD.			UNIT:	SCALE:	ANGLE:	DATE:	REV:
			MM	1/1	±1°	2006/02/04	A0
ADD: 廣東省東莞市石排鎮石崇大道 TEL: (0769) 86514918, 86514919 FAX: 86514878			DRAWED:		CHECK:	APPROVED:	
			H Z P		X U Z H A N		

REV.	PORTION.	BEFORE REV.	AFTER REV.