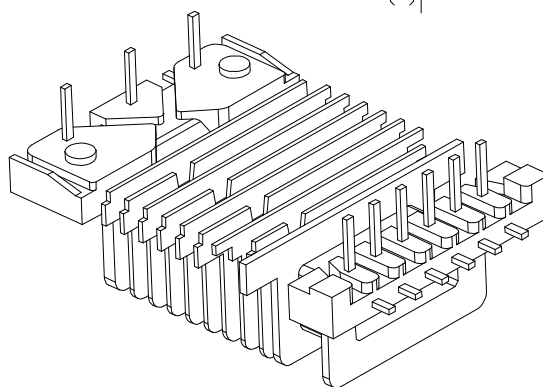
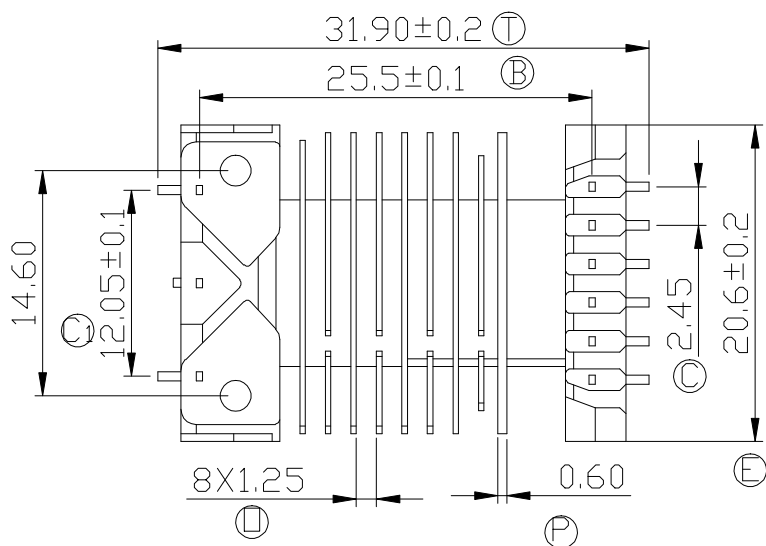
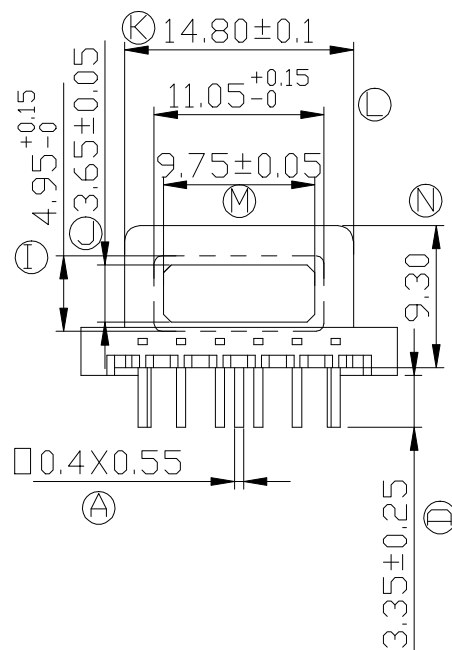
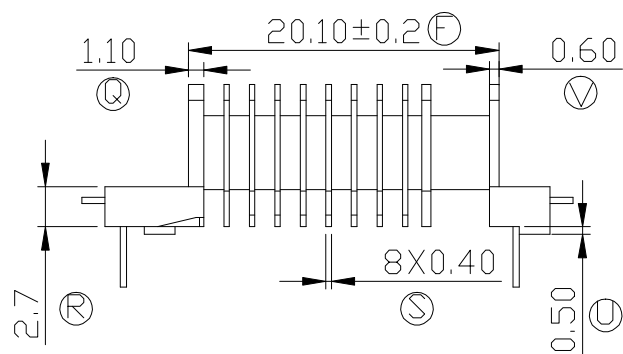
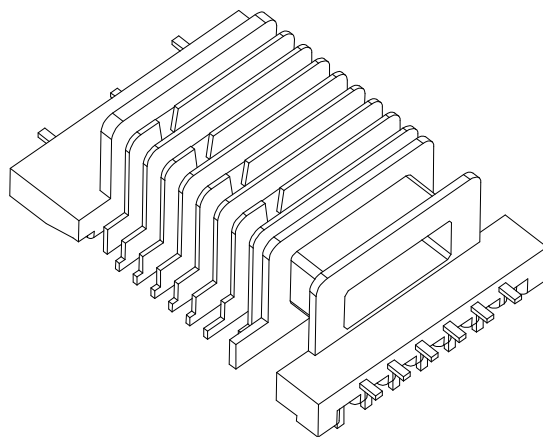
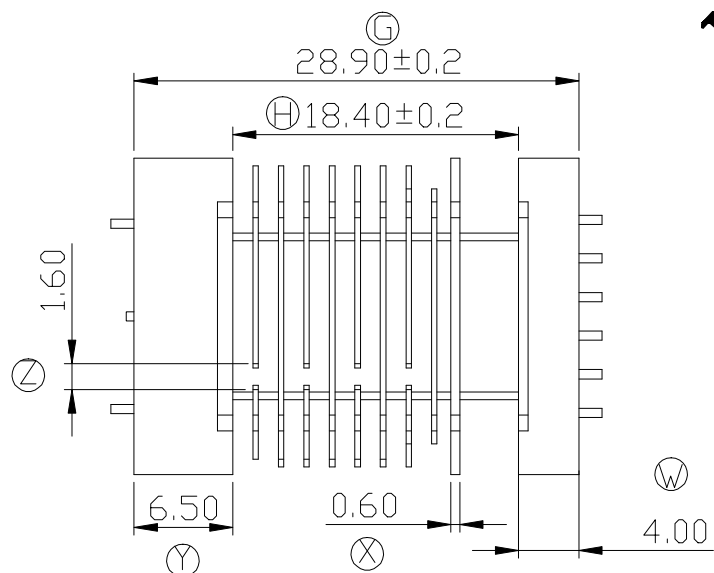



Build up your trust



TITLE:	SMD EFD-2126		TOLERANCES	BOBBIN MATERIAL:	UL REC.
DRAWING NO:	GS-S2100-1		$0 < L \leq 4 \quad \pm 0.1$ $4 < L \leq 16 \quad \pm 0.2$ $16 < L \leq 63 \quad \pm 0.3$	L. C. P E4008	UL 94V-0
 建信電子制品有限公司 GEMSTONE ELECTRONIC PRODUCTS CO., LTD.			PIN PITCH	PIN MATERIAL:	PIN TENSION LOAD:
			± 0.2	PHLSPHOR BRONZE	1.5KG MIN
ADD: 廣東省東莞市石排鎮石崇大道 TEL: (0769) 86514918, 86514919 FAX: 86514878			UNIT:	ANGLE:	DATE:
			MM	$\pm 1^\circ$	2006/09/09
			SCALE:	REV:	
			1/1	A1	
			DRAWN:	CHECK:	APPROVED:
			HZP	XU ZHAN	

REV.	PORTION.	BEFORE REV.	AFTER REV.