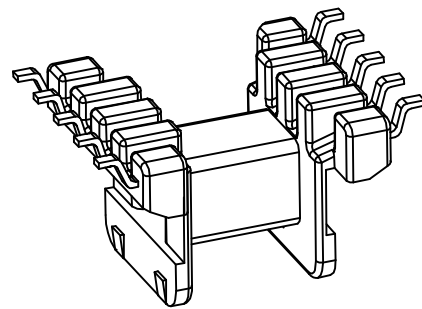
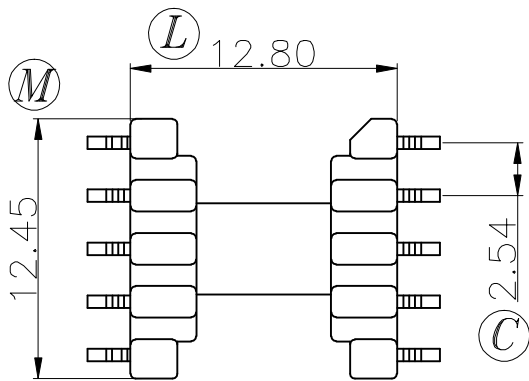
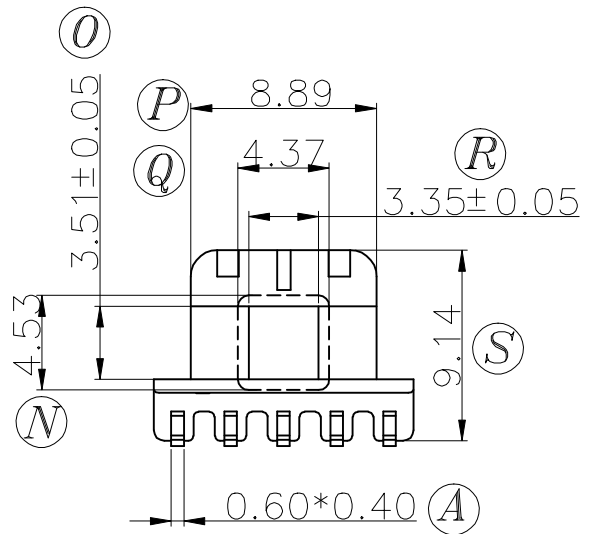
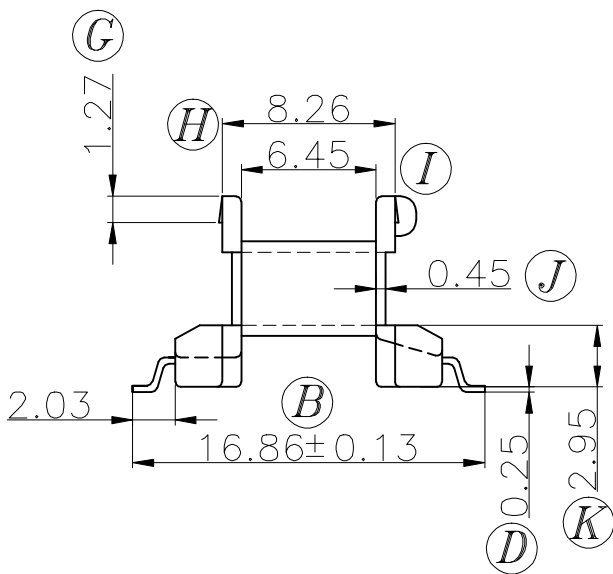
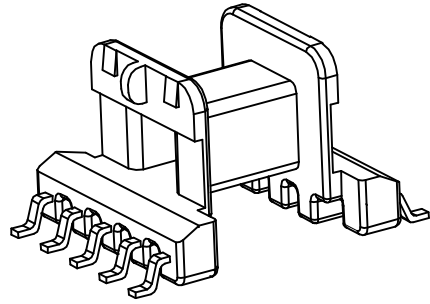
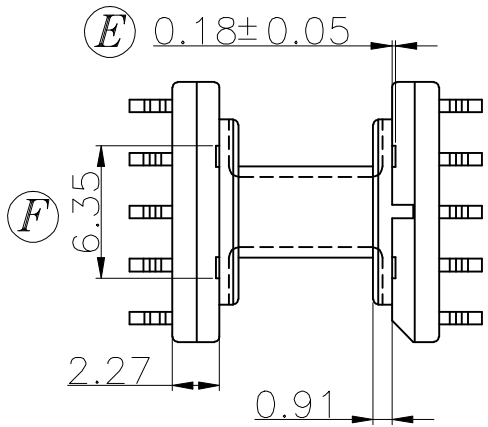



Build up your trust



TITLE: SMD BOBBIN 2829EL		TOLERANCES		BOBBIN MATERIAL: PM9630		UL REC. 94V-0	
DRAWING NO: GS-S2801		±0.13	PIN PITCH ±0.1	PIN MATERIAL: PHOSPHOR BRONZE		PIN TENSION LOAD: 1.50kg MIN	
 建信電子制品有限公司 GEMSTONE ELECTRONIC PRODUCTS CO., LTD.				UNIT: MM	SCALE: 8/1	ANGLE: ±1°	DATE: 2009/11/11
		DRAWN: XU ZHAN		CHECK: XU ZHAN		APPROVED:	

REV.	PORTION.	BEFORE REV.	AFTER REV.