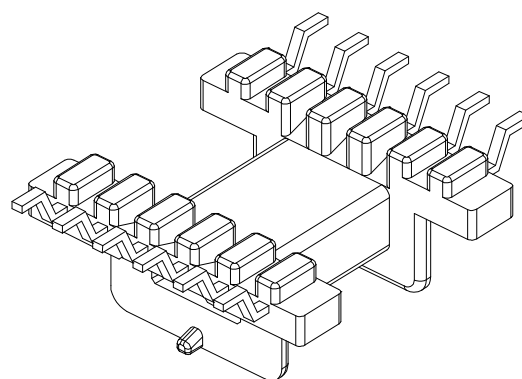
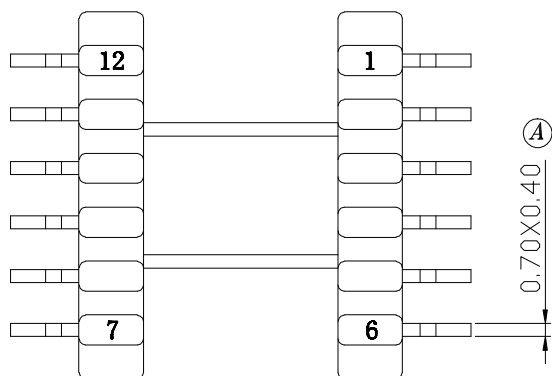
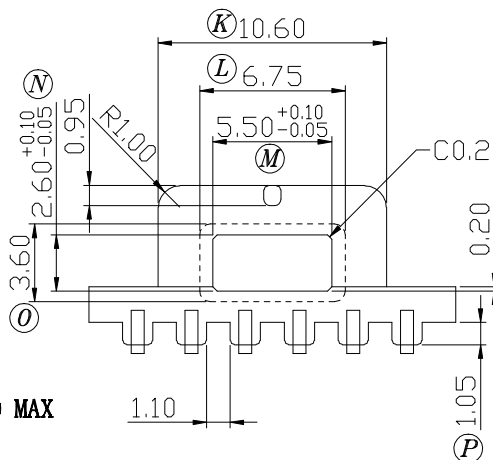
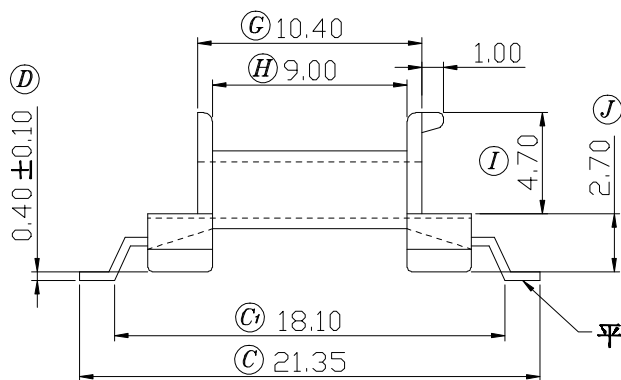
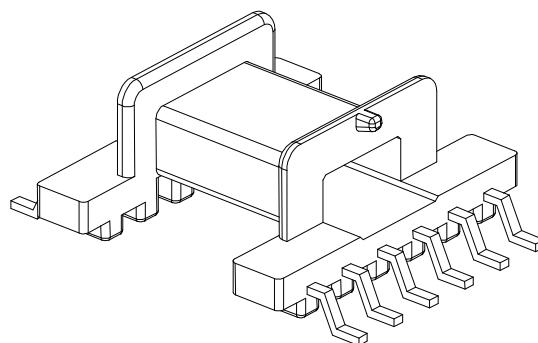
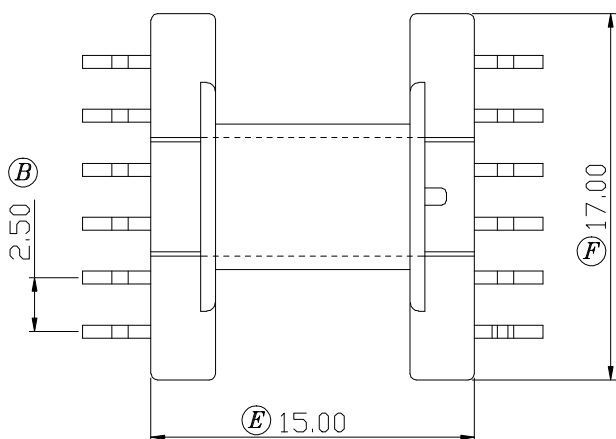


Build up your trust



備注:

1. 電鍍要求: 鍍底霧面全錫 (鍍底厚 1.25um~2.5um; 錫層厚: 6.0um MIN);
2. 端子切斷面需電鍍;
3. 端子平整度: 0.10mm MAX.

TITLE: SMD BOBBIN EFD-15 12PIN

DRAWING NO: GS-S1501

GEMSTONE 建信電子制品有限公司
GEMSTONE ELECTRONIC PRODUCTS CO., LTD.

ADD: 廣東省東莞市石排鎮石崇大道
TEL: (0769) 86514918, 86514919 FAX: 86514878

TOLERANCES

0<L≤1 ±0.05
1<L≤10 ±0.10
10<L≤20 ±0.15
20<L≤63 ±0.20

UNIT:

MM

SCALE:

4/1

BOBBIN MATERIAL:

PM9630

PIN MATERIAL:

PHOSPHOR BRONZE

UL REC.

UL 94V-0

PIN TENSION LOAD:

1.5KG MIN

ANGLE:

±1°

DATE:

2010/08/23

REV:

A1

DRAWN:

L. W

CHECK:

XU ZHAN

APPROVED:

REV.

PORTION.

BEFORE REV.

AFTER REV.