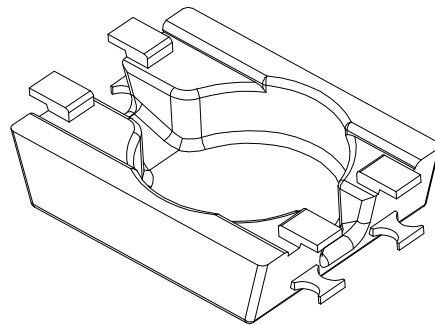
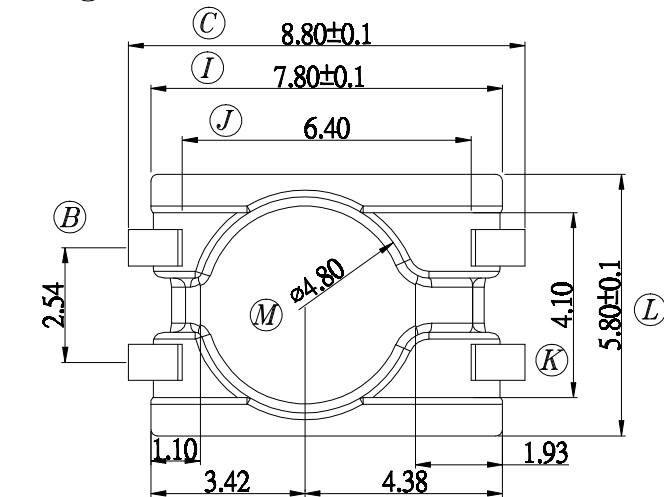
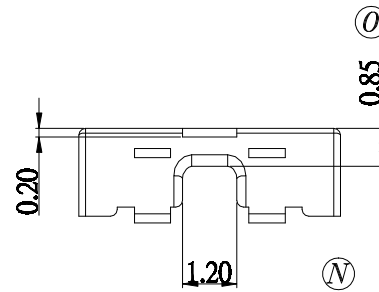
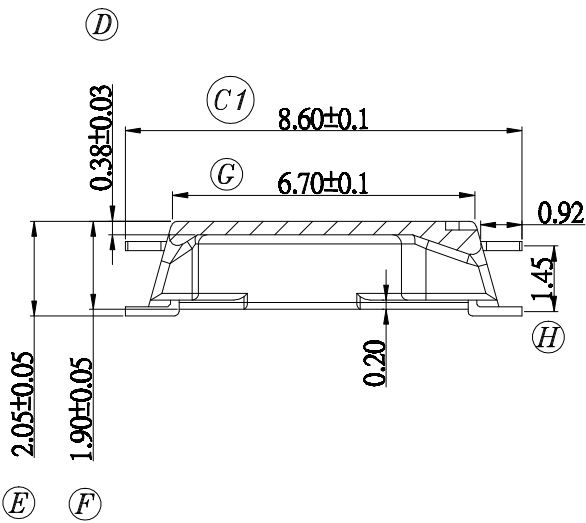
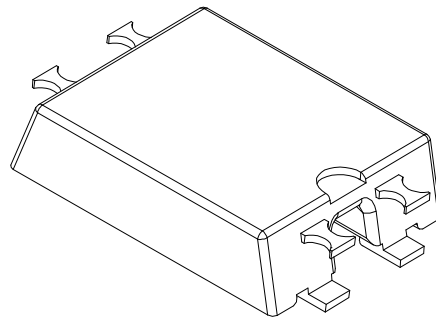
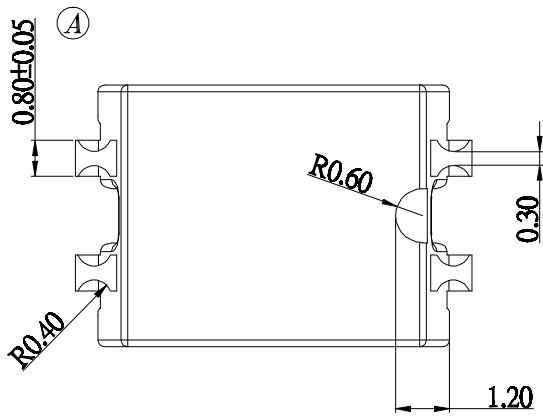



Build up your trust



注：頂部葉片強度1.5kg MIN

TITLE: SMD BASE 4PIN		TOLERANCES		BOBBIN MATERIAL: DAP WH9100 BK		UL REC. UL 94V-0	
DRAWING NO: GS-SB002		± 0.05		PIN PITCH ± 0.2		PIN TENSION LOAD: 1.5KG MIN	
 建信電子制品有限公司 GEMSTONE ELECTRONIC PRODUCTS CO., LTD. ADD: 廣東省東莞市石排鎮石崇大道 TEL: (0769) 86514918, 86514919 FAX: 86514878		UNIT: MM	SCALE: 6/1	ANGLE: ±1°	DATE: 2009/8/13	REV: A3	
		DRAWN: XU ZHAN		CHECK: XU ZHAN		APPROVED:	

REV.	PORTION	BEFORE REV.	AFTER REV.