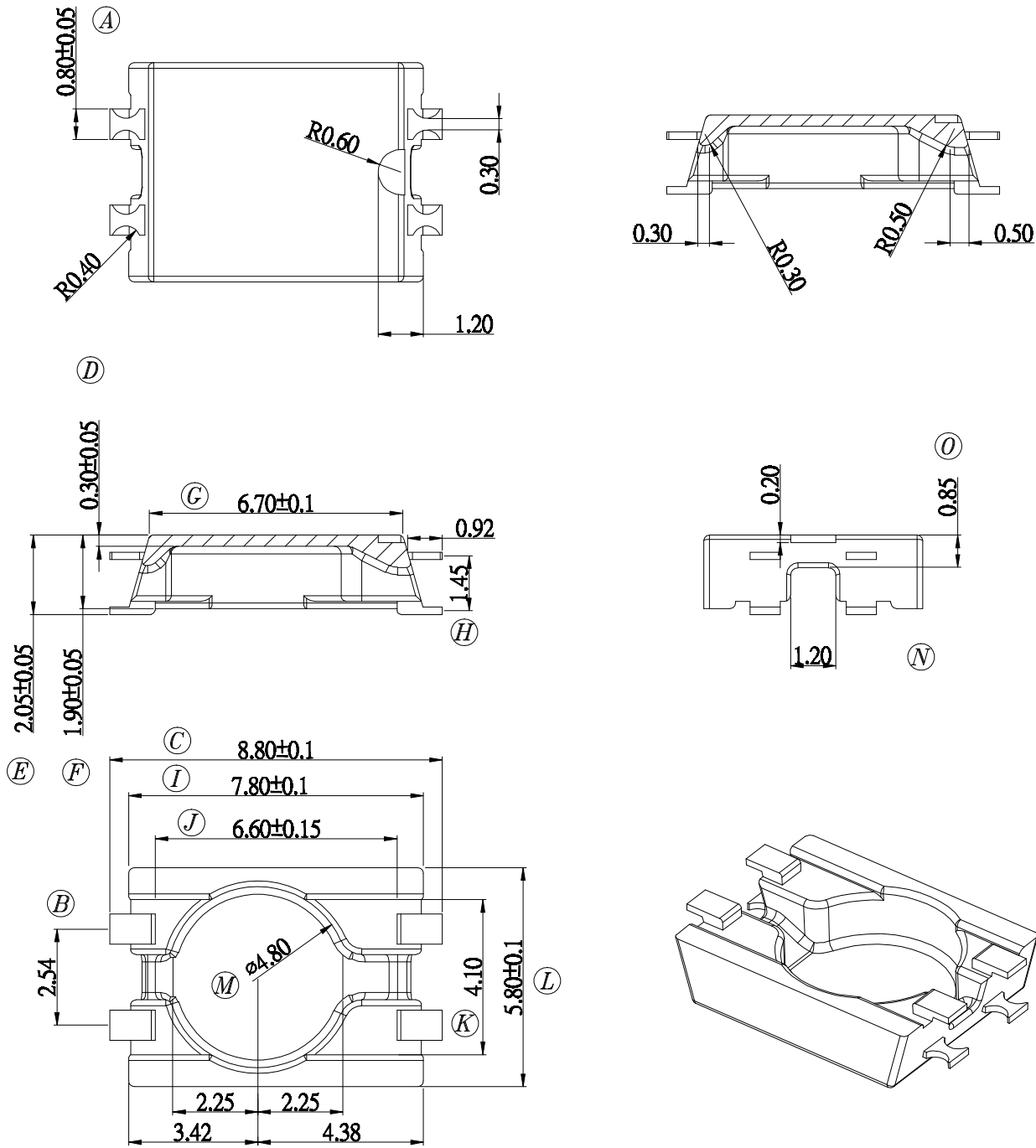



Build up your trust



|   |  |                |  |                                |  |                               |  |
|---|--|----------------|--|--------------------------------|--|-------------------------------|--|
| TITLE: SMD BASE 4PIN  |  | TOLERANCES     |  | BOBBIN MATERIAL: DAP WH9100 BK |  | UL REC. UL 94V-0              |  |
| DRAWING NO: GS-SB002-1  |  | ± 0.05         |  | PIN PITCH ± 0.2                |  | PIN MATERIAL: PHOSPHOR BRONZE |  |
|  建信電子制品有限公司<br>GEMSTONE ELECTRONIC PRODUCTS CO., LTD. |  | UNIT: MM       |  | SCALE: 6/1                     |  | ANGLE: ± 1°                   |  |
| ADD: 廣東省東莞市石排鎮石崇大道  |  | DRAWN: XU ZHAN |  | DATE: 2010/08/27               |  | PIN TENSION LOAD: 1.5KG MIN   |  |
| TEL: (0769) 86514918, 86514919 FAX: 86514878  |  | CHECK: XU ZHAN |  | REV: A1                        |  | APPROVED:                     |  |

| REV. | PORTION | BEFORE REV. | AFTER REV. |
|------|---------|-------------|------------|
|      |         |             |            |
|      |         |             |            |
|      |         |             |            |